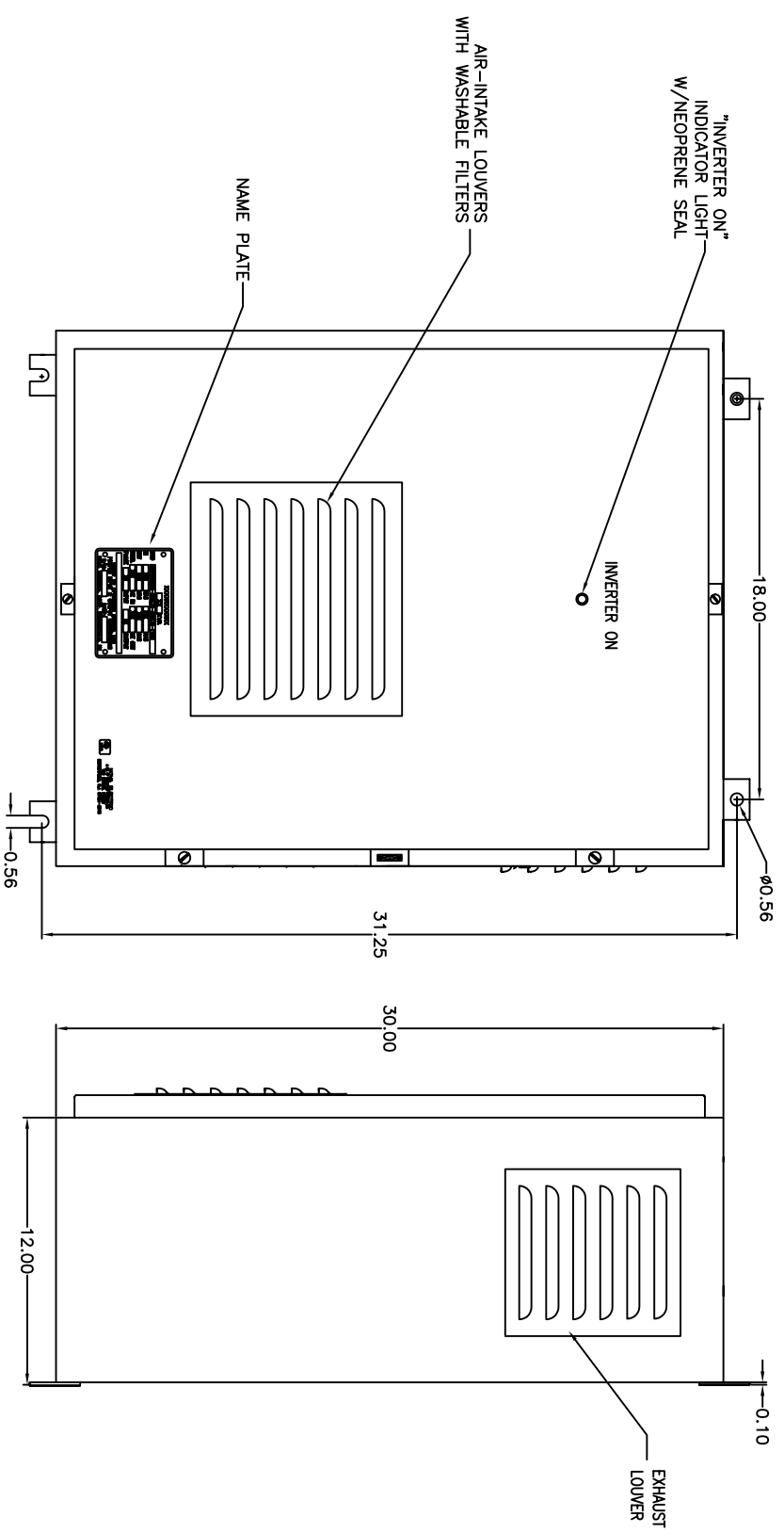
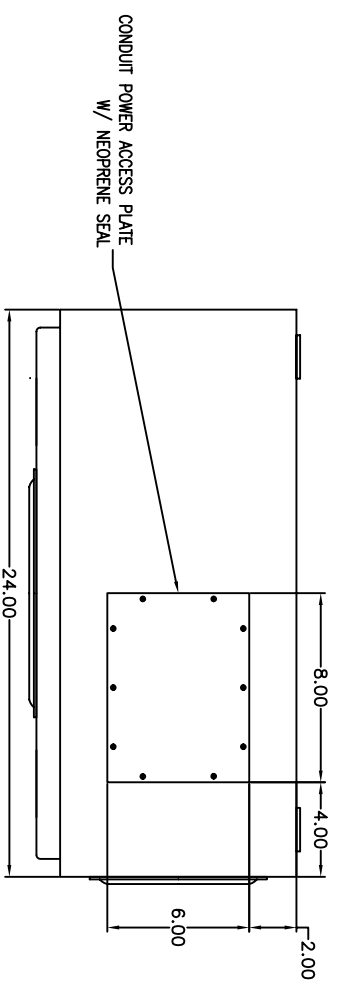


REVISIONS				
LTR	DESCRIPTION	BY	APP	DATE
-		-	-	-



- NOTES:
1. INVERTER CABINET HAS (4) MTG EARS.
 2. APPROXIMATE WEIGHT: 190 LBS (3 KVA), 200LBS (5 KVA).
 3. FINISH: ANSI #61 GRAY, SEMI-GLOSS.
 4. ENCLOSURE TYPE: NEMA 12, P/N SCE-302410LP

UNLESS OTHERWISE SPECIFIED, DIMENSIONS ARE IN INCHES. FRACTIONS TO DECIMALS ANGLES		THIS DRAWING CONTAINS PROPRIETARY INFORMATION AND MAY NOT BE REPRODUCED OR TRANSMITTED IN ANY FORM OR BY ANY MEANS WITHOUT THE WRITTEN PERMISSION OF NOVA ELECTRIC.	
MATERIAL:	300 ± .010	DRAWN:	09/03/04
FINISH:	N/A	CHECKED:	09/03/04
M.T.L.		APPROVED:	09/03/04
TITLE:		NOVA ELECTRIC	NOVA ELECTRIC
SIZE:		A DIV. OF TECHNOLOGY DRIVERS INC.	100 SCHOOL STREET
SCALE:		BERGENFIELD, N.J. 07621-2915	
CAGE: 29019		GHAKG0-600	GHAKG0-600
SHEET 1 OF 1		DUTLINE DWG	980967

HTTP://WWW.NOVAELECTRIC.COM