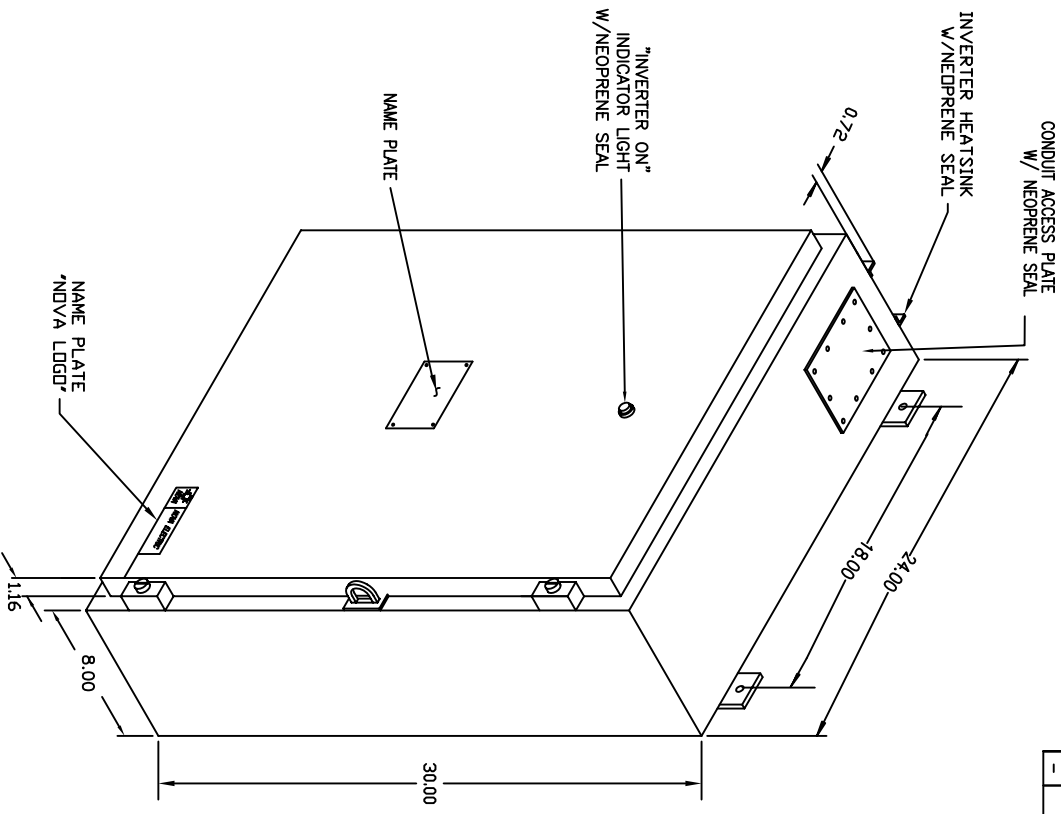



REVISIONS			
LTR	DESCRIPTION	DATE	APPROVED
-	-	-	-



- NOTES:
1. INVERTER CABINET HAS (4) MTG. EARS. THE BOTTOM (2) CANNOT BE SEEN IN THIS VIEW.
  2. FINISH: ANS# 61 GRAY, SEMI-GLOSS.
  3. ENCLOSURE TYPE: NEMA 12.

DIMENSIONS: UNLESS SPECIFIED IN THIS DRAWING, ALL DIMENSIONS SHALL BE IN INCHES. FRACTIONAL DIMENSIONS SHALL BE DECIMALS. ANGLES SHALL BE IN DEGREES. DIMENSIONS SHALL BE TO UNLESS OTHERWISE SPECIFIED.		THIS DRAWING CONTAINS INFORMATION THAT IS PROPRIETARY TO NOVVA ELECTRIC. IT IS TO BE KEPT IN CONFIDENTIALITY AND NOT TO BE REPRODUCED OR TRANSMITTED IN ANY FORM OR BY ANY MEANS, ELECTRONIC OR MECHANICAL, INCLUDING PHOTOCOPYING, RECORDING, OR BY ANY INFORMATION STORAGE AND RETRIEVAL SYSTEM, WITHOUT THE PERMITTED WRITTEN PERMISSION OF NOVVA ELECTRIC.	
DRAWN BY: V.K. CHECKED BY: J.L. DATE: 5/09/06	DATE: 5/09/06	 NOVVA ELECTRIC 100 S. DUNDON STREET, 2ND FLOOR BERGENFIELD, N.J. 07621-2915	TITLE: DUTLINE DRAWING SIZE: C SCALE: NTS   GAGE: 29019   SHEET: 1 OF 1
FINISH: N/A	APPROVED BY: S/09/06	REV: -	981006
WWW.NOVVAELECTRIC.COM			