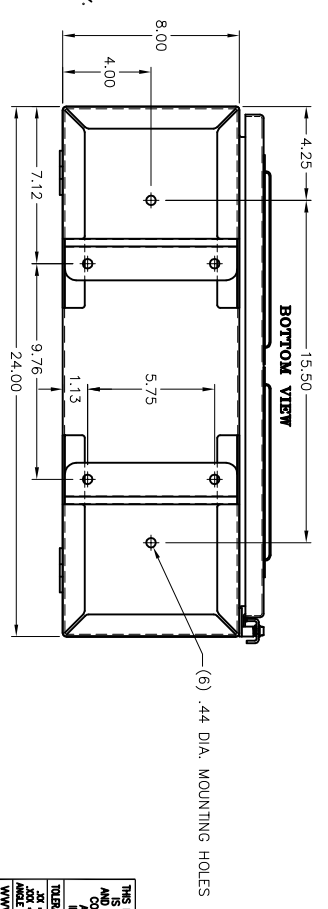
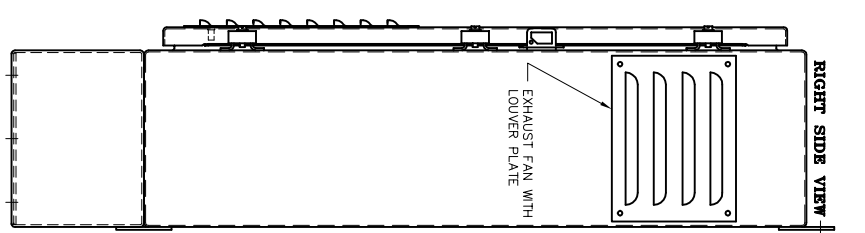
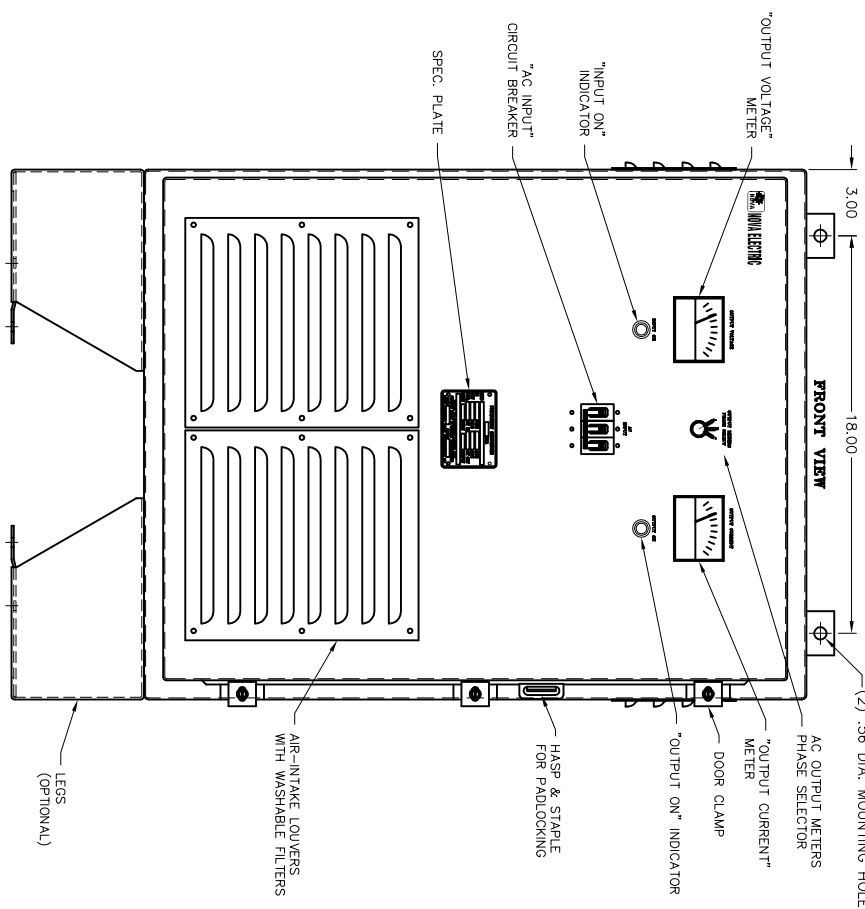
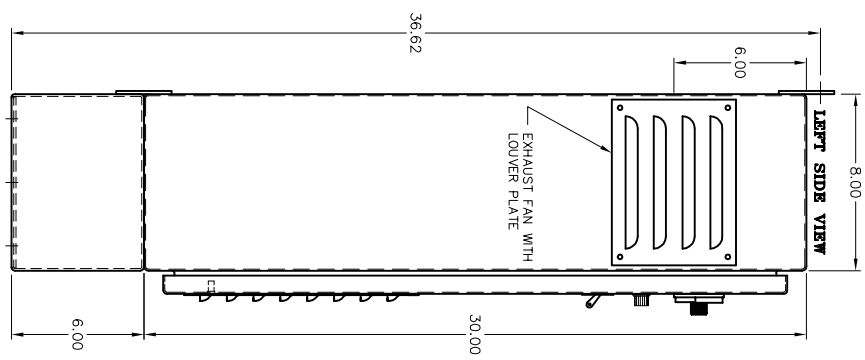
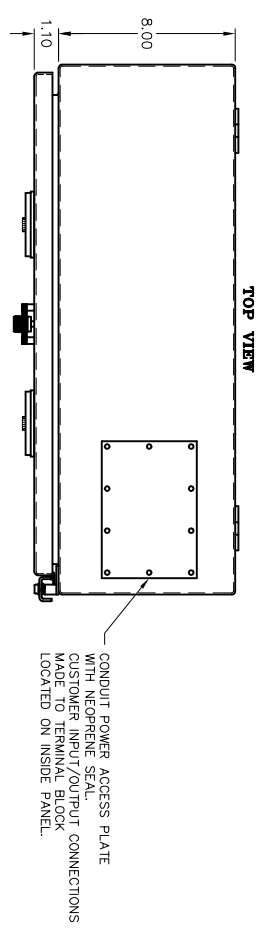


REVISIONS	
NO.	DESCRIPTION
1	BY: APR DATE: -
2	BY: APR DATE: -



- NOTES:
1. ALL DIMENSIONS ARE IN INCHES, UNLESS OTHERWISE SPECIFIED.
  2. ALL UNDIMENSIONED PICTORIAL CONFIGURATIONS ARE FOR REFERENCE ONLY.
  3. FRONT AND TOP MARKINGS FOR REFERENCE ONLY.
  4. CABINET PAINTED - ANSI #61 GRAY SEMI-GLOSS.
  5. FRONT PANEL SILK-SCREEN IN BLACK EPOXY INK.

THIS DRAWING IS THE PROPERTY OF NOVA ELECTRIC. IT IS TO BE USED ONLY FOR THE PROJECT AND SITE SPECIFICALLY IDENTIFIED HEREIN. NOVA ELECTRIC ASSUMES NO LIABILITY FOR ANY DAMAGE TO PROPERTY OR PERSONS ARISING FROM THE USE OF THIS DRAWING. ALL DIMENSIONS ARE IN INCHES UNLESS OTHERWISE SPECIFIED.

NOVA ELECTRIC  
 4 BRIDGE PLAZA  
 100 SCHOOL STREET  
 BERENGLAND, N.J. 07001-2915  
 OUTLINE DRAWING  
 GH-C-SERIES

DATE: 12/01/12  
 DRAWN BY: [Signature]  
 CHECKED BY: [Signature]  
 DATE: 12/01/12

NOVA ELECTRIC  
 9981055  
 CASE: 29019 SHEET: 1 of 1 REV: -