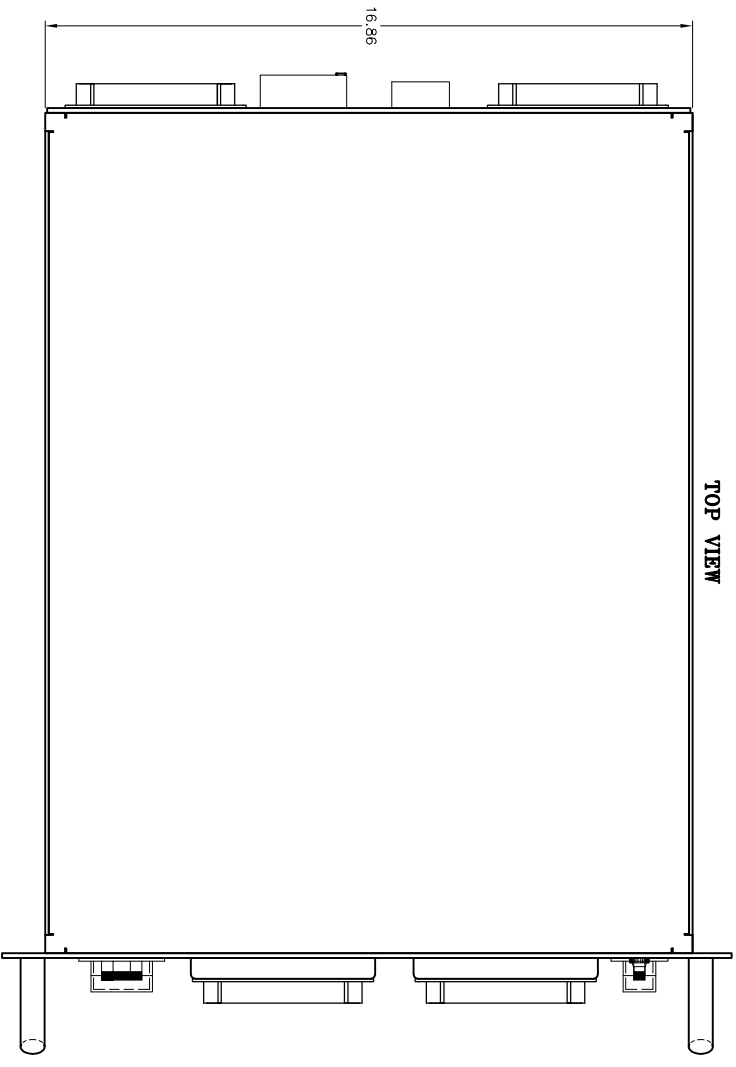
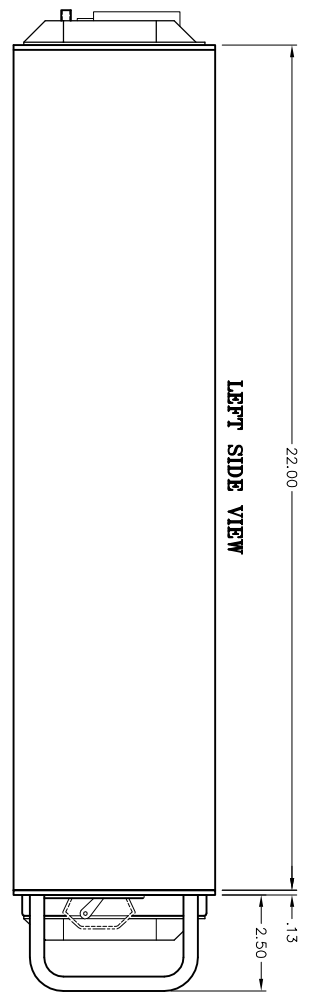
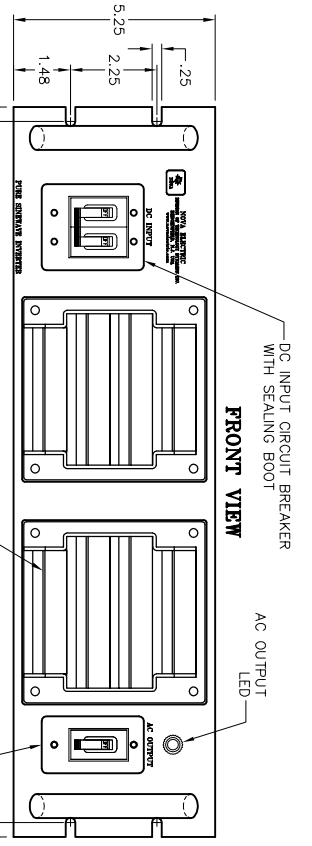


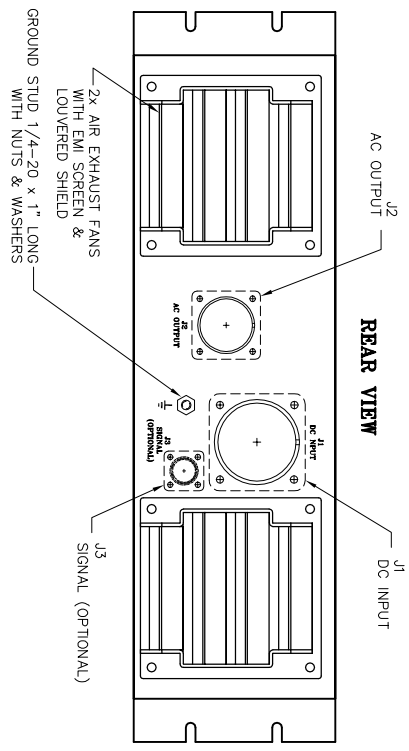
REVISIONS		BY	DATE
1	DESCRIPTION		
2			
3			
4			
5			



TOP VIEW



FRONT VIEW



REAR VIEW

CONNECTOR PIN DESIGNATIONS

J1 DC INPUT

P/N	DESCRIPTION
MS3102R36-5P	DC +
PIN A	DC +
PIN B	DC +
PIN C	DC -
PIN D	DC -

J2 AC OUTPUT

P/N	DESCRIPTION
MS3102R24-9S	AC OUTPUT L
PIN A	AC OUTPUT L
PIN B	AC OUTPUT N

J3 SIGNAL

P/N	DESCRIPTION
MS3102R10SL-3S	TBD
PIN A	TBD
PIN B	TBD
PIN C	TBD
OPTIONAL	

- NOTES:
1. ALL DIMENSIONS ARE IN INCHES, UNLESS OTHERWISE SPECIFIED.
 2. ALL UNDIMENSIONED PICTORIAL CONFIGURATIONS ARE FOR REFERENCE ONLY.
 3. FRONT AND REAR MARKINGS FOR REFERENCE ONLY.
 4. OUTSIDE OF UNIT PAINTED - OLIVE DRAB FSS595A COLOR 34087.
 5. FRONT PANEL SILK-SCREENED IN WHITE EPOXY INK.

THIS DRAWING IS DESIGN AND DETAIL. NOVA ELECTRIC ASSUMES NO RESPONSIBILITY FOR THE ACCURACY OF DIMENSIONS OR CONNECTIONS WITH OUR WORK. ALL RIGHTS OF DESIGN OR INVENTION ARE RESERVED.

NOVA ELECTRIC
A DIV. OF TECHNOLOGY DRIVES INC.
BERKELEY, CA 94701-2915

DATE: 05/30/13
BY: BT
CHECKED: AL
APPROVED: AL

DO NOT SCALE

SIZE: C
CAGE: 29019
SHEET: 1 of 2

OUTLINE DRAWING
9981058

WWW.NOVAELECTRIC.COM