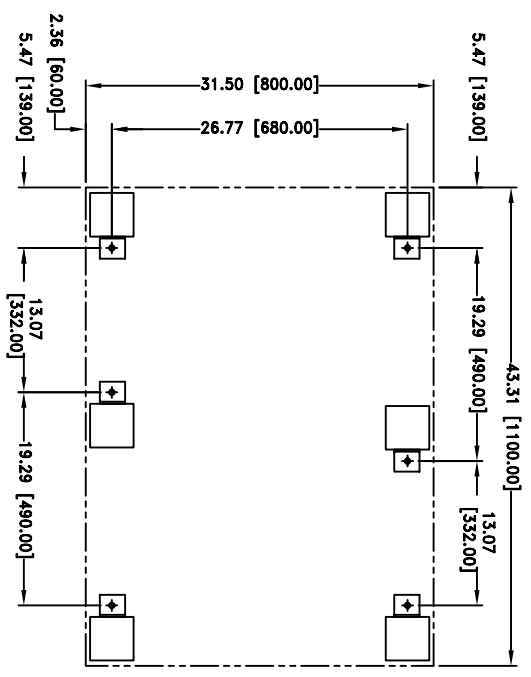
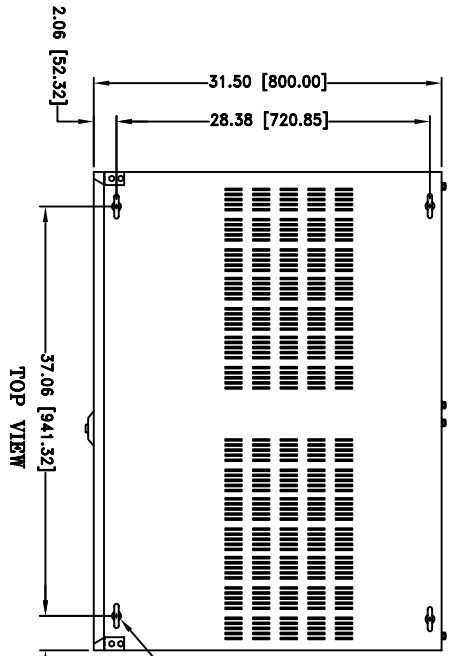


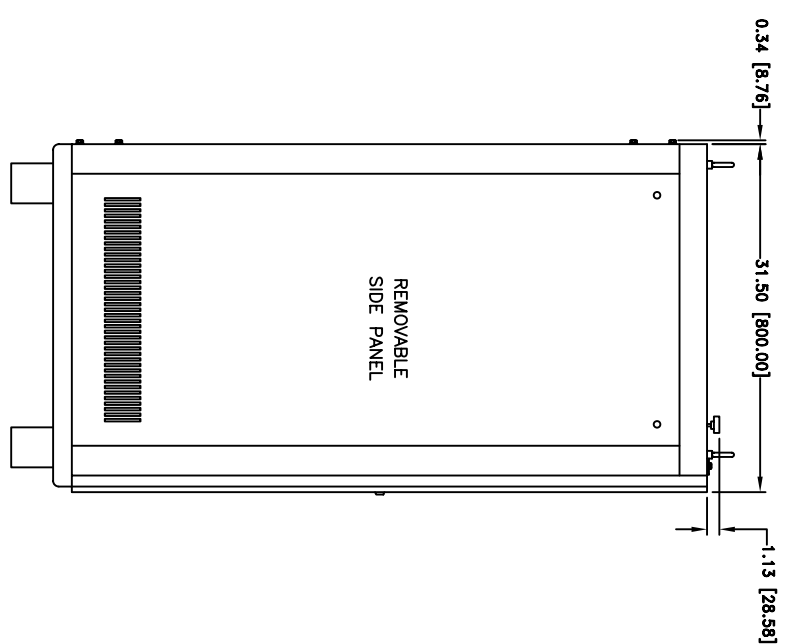
| SYM | DESCRIPTION | BY | APP | DATE |
|-----|-------------|----|-----|------|
| -   | -           | -  | -   | -    |



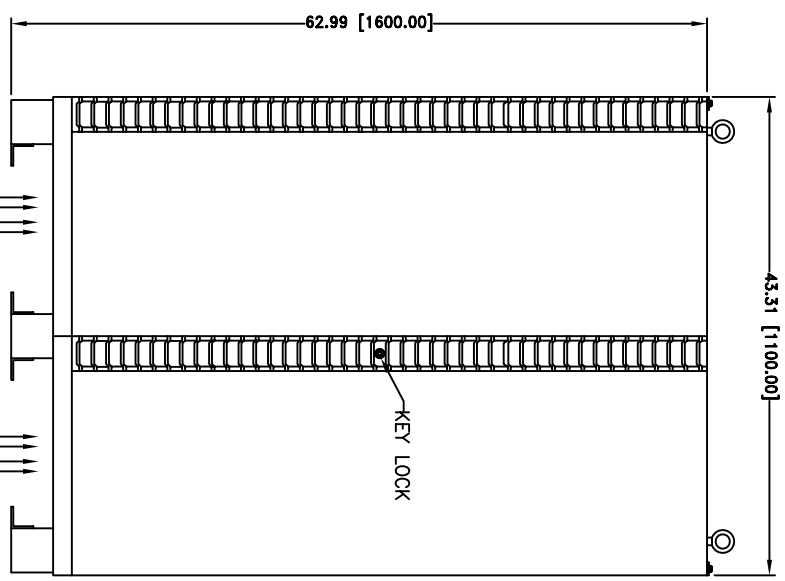
FOOT AND TIE DOWN BRACKET HOLE PATTERN



TOP VIEW



LEFT SIDE VIEW



FRONT VIEW

- NOTE:
1. ALL DIMENSIONS ARE IN INCHES (MILLIMETERS).
  2. AIR INTAKE AND IN/OUT CABLES FROM THE BOTTOM.
  3. COATING POWDER: 0.3MM THICK.
  4. COLOR: PANTONE COOL GREY #5.
  5. FRONT AND REAR MARKING FOR REFERENCE ONLY.

THIS DRAWING CONTAINS PROPRIETARY INFORMATION AND IS THE PROPERTY OF NOVIA ELECTRIC. NOVA ELECTRIC, BERGENFIELD, N.J. 07621-2915

NOVA ELECTRIC  
A DIV. OF TECHNOLOGICAL FINANCIAL INC.  
101 SCHOOL STREET  
BERGENFIELD, N.J. 07621-2915

TITLE: JUPITER 44" W BATTERY CABINET

|        |          |       |          |
|--------|----------|-------|----------|
| DESIGN | 01/22/09 | DATE  | 01/22/09 |
| REV.   | 01/22/09 | DATE  | 01/22/09 |
| BY:    | DL       | DATE  | 01/22/09 |
| APP:   | DL       | DATE  | 01/22/09 |
| SIZE   | D        | SCALE | 1:1      |
| NO.    | 9981007  | CASE  | 28019    |
| REV.   | -        | SHEET | 1 OF 1   |

HTTP://WWW.NOVAELECTRIC.COM/SCALE