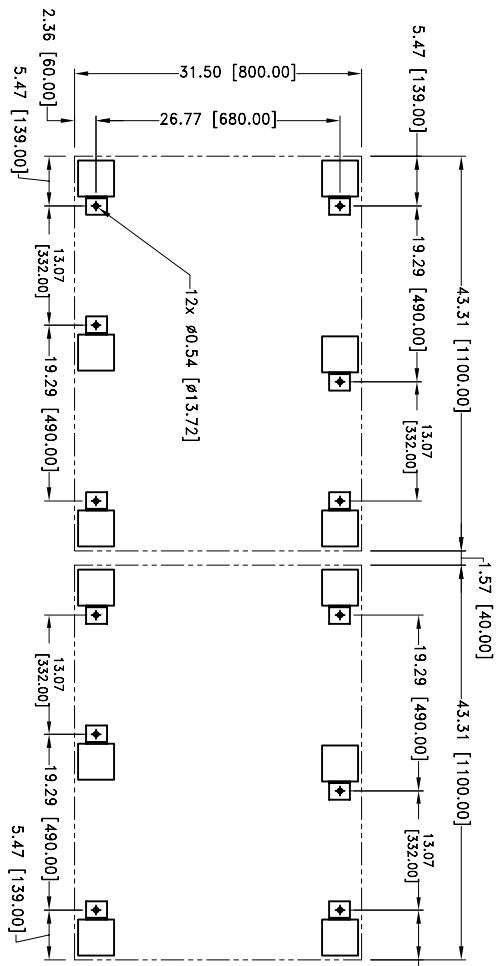
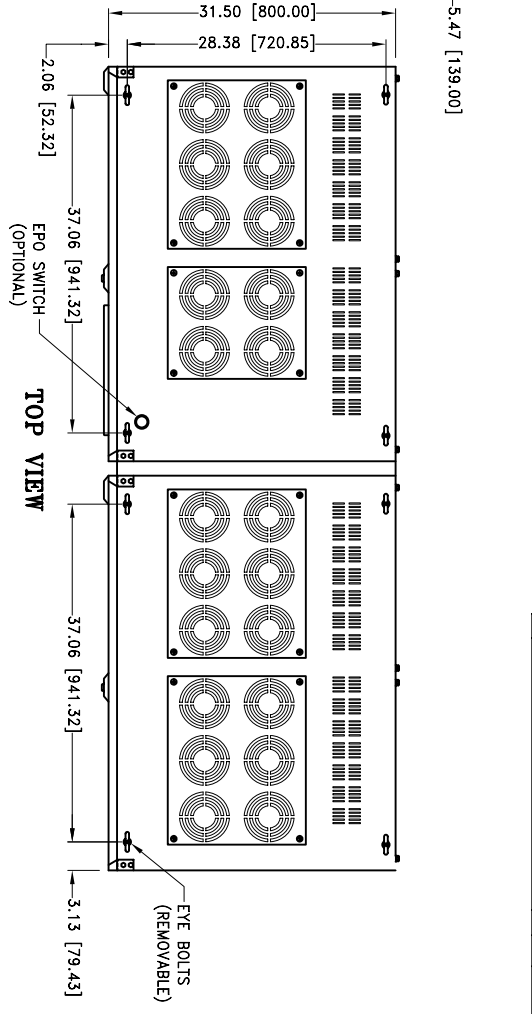


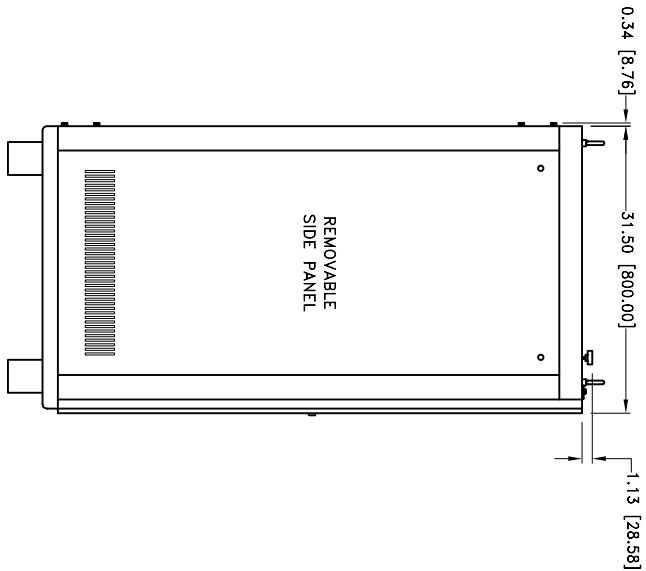
REVISIONS		
ITR	DESCRIPTION	BY / APPR DATE



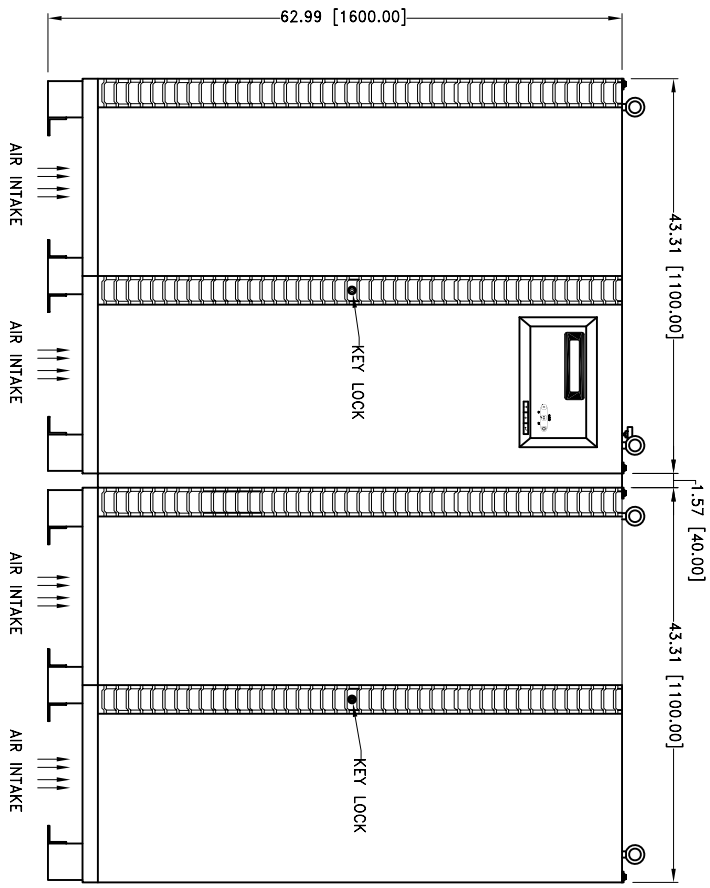
**FOOT AND TIE DOWN BRACKET HOLE PATTERN**



**TOP VIEW**



**LEFT SIDE VIEW**



**FRONT VIEW**

- NOTE:
1. ALL DIMENSIONS ARE IN INCHES (MILLIMETERS).
  2. AIR INTAKE AND IN/OUT CABLES FROM THE BOTTOM.
  3. COATING POWDER: 0.3MM THICK.
  4. COLOR: PANTONE COOL GREY #5.
  5. FRONT AND REAR MARKING FOR REFERENCE ONLY.

THIS DRAWING IS DESIGN AND DETAIL. THIRD PARTY PRODUCTION IS NOVIA ELECTRIC PROPERTY AND MUST NOT BE USED EXCEPT IN CONNECTION WITH THIS DESIGN OR INVENTION ARE RESERVED.

NOVIA ELECTRIC  
 4 BLDG OF TECHNOLOGY CENTER  
 100 SCHOOL STREET  
 BERGENFIELD, N.J. 07621-2915

JUPITER, 88" W CABINET

NOVIA ELECTRIC.COM

9981005

CASE: 29079 SHEET: 1 OF 1