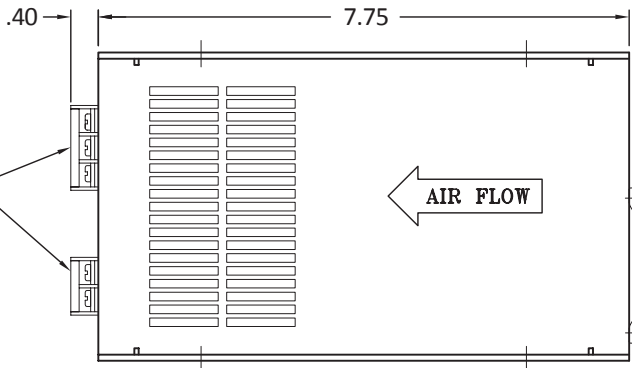
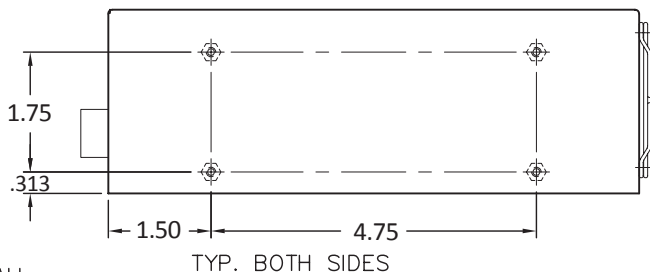


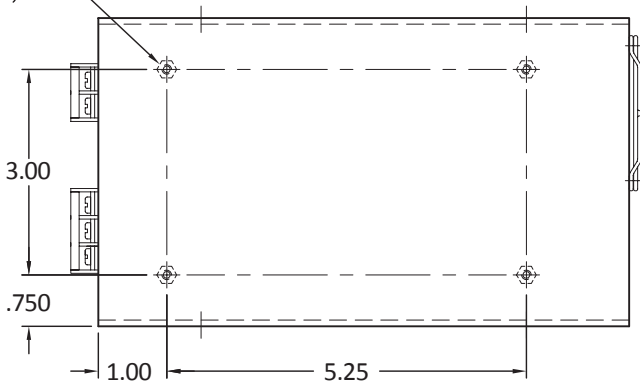
TOP VIEW



SIDE VIEW



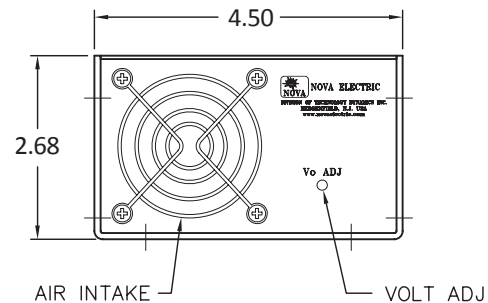
BOTTOM VIEW



NOTES:

1. ALL DIMENSIONS ARE IN INCHES.
2. ALL UNDIMENSIONED PICTORIAL CONFIGURATIONS ARE FOR REFERENCE ONLY.
3. MAX. MOUNTING SCREWS PENETRATION:
SIDES: .187
BOTTOM: .250

FRONT VIEW



REAR VIEW

