

RUGGED GALAXY™ SERIES TRUE ON-LINE THREE-PHASE UPS 3 - 5 - 8KVA



APPLICATIONS

Utilizing field proven transformer isolated topology, this family of rugged UPS is suitable for harsh environments and can be customized for unique applications including:

- Shelters
- Tactical Systems
- Shipboard Power
- MIL-STD-810
- MIL-S-901
- HMMWVs
- Mobile Systems
- Ground support
- MIL-STD-461
- MIL-STD-167



NOVA ELECTRIC
www.novaelectric.com
novasales@theallpower.com



A Leader in UPS Technology since 1966 - 500VA to 500+KVA

MADE IN USA

THREE-PHASE TRUE ONLINE RUGGED SINEWAVE UPS

CAN MEET MIL-STD-810, MIL-STD-1399, MIL-S-901, MIL-STD-704, & MIL-STD-461 OPTIONALLY

APPLICATIONS

The rugged Galaxy Series UPS is designed to provide years of reliable service in harsh shock, vibration, humidity, and EMI environments. Military applications include HMMVW, UAV, Shipboard, Submarine, Shelter, and Mobile Power Units.

OPTIONS

- MS Connector Mates
- Chassis Slides
- External Solid State Transfer Switch (5.25" High x 19" Wide x 17" Deep)
- Premium 10 Year Life Wide Temperature Range Batteries
- RS232 or SNMP
- Run Time to 24+ Hours
- Custom Painting and Plating
- Custom Cabinets & Turnkey Solutions

SPECIFICATIONS

ELECTRICAL

Input: 120/208, 220/380 or 115/200 VAC
 Frequency: 50, 60, or 400Hz
 Voltage Regulation: $\pm 2\%$ NL to FL
 Frequency Regulation: $\pm 0.5\%$ NL to FL
 Harmonic Distortion: 5% THD
 Power Factor: 0.7 lead to 0.7 lag
 Efficiency at full load: 75-80% typical
 Overload: 125% for 5 minutes

EXTERNAL BATTERIES

7" High x 19" Wide x 21" Deep Rack Mount battery drawers containing sealed, maintenance-free, user replaceable batteries rated for 3-5 years lifetime. Battery cabinets and racks also available with run time from 5 minutes to 24+ hours.

ENVIRONMENTAL

Operating Temp.: -20° to $+50^{\circ}$ C
 Storage Temp. Range: -20° to $+50^{\circ}$ C (extended range available)
 Humidity: to 95% non-condensing
 Elevation: 15,000 Ft. (4.572m) operating; 40,000 ft. (12.192m) non-operating
 Shock: 20g for 11mS
 Audible Noise: Less than 55 dbA at 5 ft.

DIAGNOSTICS

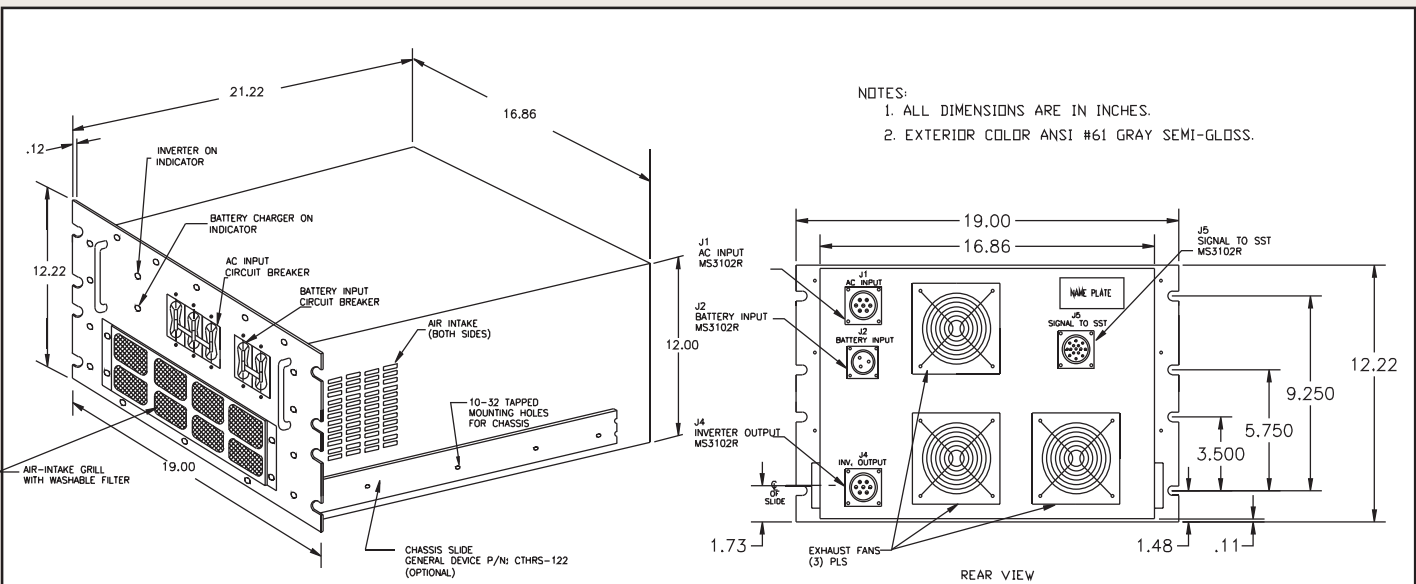
Alarm Contacts: Standard
 RS 232 or SNMP: Optional

PROTECTIVE FEATURES

AC & DC Input Circuit Breakers, Low Battery Shut Off, Overload & Thermal Protected, Input Under / Overvoltage Protected, Audible Alarm with Silence Switch

MODEL SELECTION

PARTIAL MODEL SELECTION	KVA	INPUT	OUTPUT	UPS LBS
GRSL11-3K3/6-120/208-120/208	3	120/208VAC, 60Hz	120/208VAC, 60Hz	165
GRSL11-3K3/5-220/380-220/380	3	220/380VAC, 50Hz	220/380VAC, 50Hz	165
GRSL11-3K3/4-115/200-115/200	3	115/200VAC, 400Hz	115/200VAC, 400Hz	165
GRSL11-5K3/6-120/208-120/208	3	120/208VAC, 60Hz	120/208VAC, 60Hz	175
GRSL11-5K3/5-220/380-220/380	5	220/380VAC, 50Hz	220/380VAC, 50Hz	175
GRSL11-5K3/4-115/200-115/200	5	115/200VAC, 400Hz	115/200VAC, 400Hz	175
GRSL11-8K3/6-120/208-120/208	8	120/208VAC, 60Hz	120/208VAC, 60Hz	185
GRSL11-8K3/5-220/380-220/380	8	220/380VAC, 50Hz	220/380VAC, 50Hz	185
GRSL11-8K3/4-115/200-115/200	8	115/200VAC, 400Hz	115/200VAC, 400Hz	185



WEB : www.novaelectric.com
 E-Mail : novasales@theallpower.com
 PHONE : (201) 385-0500 FAX : (201) 385-0702



NOVA ELECTRIC

A Division of
 TECHNOLOGY DYNAMICS, INC.
 100 School St., Bergenfield NJ 07621

