



NOVA ELECTRIC



FEATURES

- Complete input to output 'Galvanic' isolation.
- Almost silent high frequency operation
- Push button starting and stopping
- Diagnostic panel with LCD and LED display
- Soft start on inverter
- Overload and short circuit protection
- All electronics are built in modular front access and front removable sub assemblies for easy service and maintenance
- Remote isolated dry relay contacts
- Available options to meet military specs

CONTACT

100 School Street,
Bergenfield, NJ 07621 USA

(201) 385-0500

novaelectric.com
info@novaelectric.com



Jupiter Series 10 - 450+ KVA Rugged Solid State Frequency Converters



Jupiter-Series 80-160 KVA Cabinet Shown With Optional Shock Mounts

GENERAL OVERVIEW

Nova's Jupiter-Series Solid-State Frequency Converters are high-reliability power sources specifically designed for demanding commercial, heavy industrial, and military applications. They can be built to meet MIL-STD-810, MIL-S-901, MIL-STD-461, and other standards optionally. These models utilize state of the art technology and the most durable components, offering maximum field-proven reliability for severe environment and high reliability applications. Single-phase input and/or output models are available upon request.

- Military: HMMWV, UAV, Shipboard, Submarine, Aircraft, Mobile Power Units, and Tactical Shelters
- Aircraft Power
- Communications Systems
- Cellular Sites
- European Power / Export Testing
- Power Conditioning & Frequency Stabilization
- U.S. Power Abroad
- Railroad Signaling Power - 25, 91.66, 100, 200, and 250 Hz. Available

The Leader In Rugged Power Conversion Technology Since 1966

**Specifications subject to change without notice.*

Rev H-January-20-2025



NOVA ELECTRIC



FEATURES

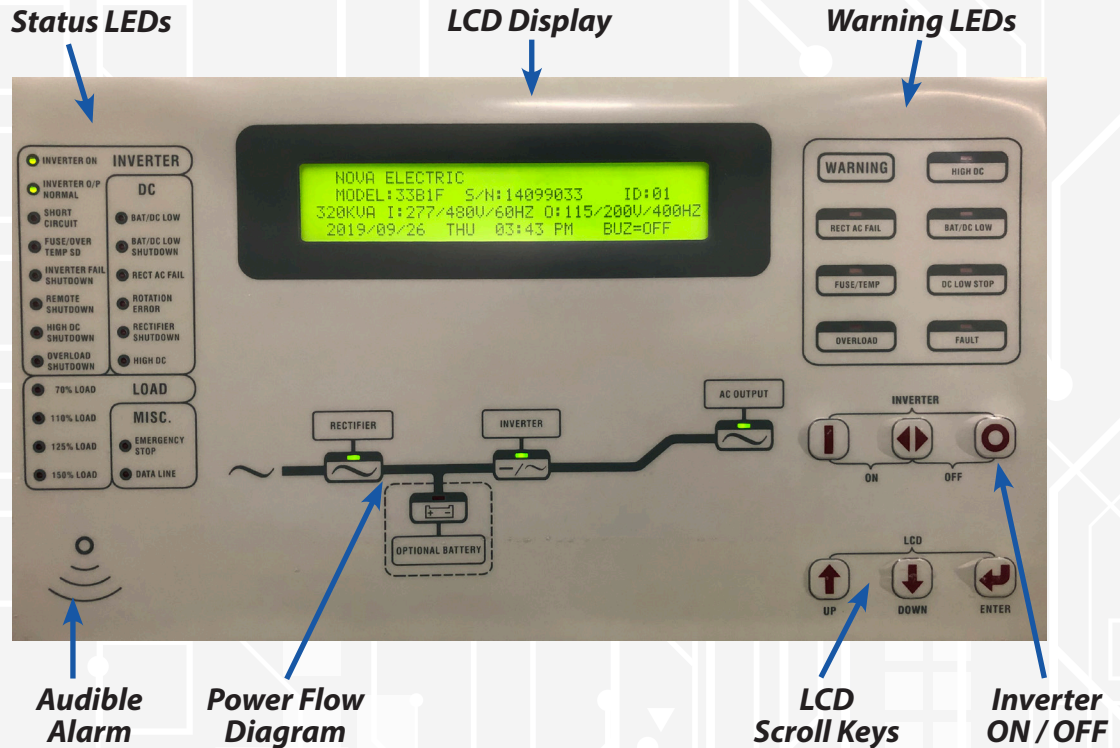
- Complete input to output 'Galvanic' isolation.
- Almost silent high frequency operation
- Push button starting and stopping
- Diagnostic panel with LCD and LED display
- Soft start on inverter
- Overload and short circuit protection
- All electronics are built in modular front access and front removable sub assemblies for easy service and maintenance
- Remote isolated dry relay contacts
- Available options to meet military specs

CONTACT

100 School Street,
Bergenfield, NJ 07621 USA
(201) 385-0500
novaelectric.com
info@novaelectric.com



JUPITER-SERIES FRONT PANEL DISPLAY



MONITORING FEATURES

The Frequency Converter includes an RS232 port for monitoring information related to the Frequency Converter output, and any abnormal conditions that have occurred in real time. Standard commercially available software is provided.

FRONT PANEL LCD DISPLAY AND LED INDICATORS

These will report all Frequency Converter parameters, including input and output voltages, currents, frequency, DC voltage and many other functions.

LCD DISPLAY

Real time status, data, and historical events are displayed via this backlit LCD display. The Frequency Converter parameters, real time clock, and audible alarm also can be set through this LCD.

STATUS LEDs

A series of LEDs representing all the important status information of the Frequency Converter provides critical information to the user. These LEDs are located behind the transparent window, so they can be seen clearly without opening the front door.

WARNING LEDs

When abnormal condition occurs, these LEDs will light to warn of the fault condition.

AUDIBLE ALARM

The audible alarm will beep under certain fault conditions including overload, short circuit, open fuse, overtemp, high DC shutdown, and bypass fault.

The Leader In Rugged Power Conversion Technology Since 1966

**Specifications subject to change without notice.*



NOVA ELECTRIC



FEATURES

- Complete input to output 'Galvanic' isolation.
- Almost silent high frequency operation
- Push button starting and stopping
- Diagnostic panel with LCD and LED display
- Soft start on inverter
- Overload and short circuit protection
- All electronics are built in modular front access and front removable sub assemblies for easy service and maintenance
- Remote isolated dry relay contacts
- Available options to meet military specs

CONTACT

100 School Street,
Bergenfield, NJ 07621 USA

(201) 385-0500

novaelectric.com

info@novaelectric.com



COMMUNICATION OPTIONS

Some popular communications options available for the Jupiter Frequency Converter include the following:

UPSCAN

This is a hand held remote display and control module with LCD and LED display that can monitor via RS-485 up to 99 Frequency Converter Units at a remote distance of up to 3,000 feet.



UPSCAN Remote Display and Control Module

NETAGENT

This provides capability to monitor the Frequency Converter over the internet. It includes the appropriate additional SNMP card and microprocessor. The software required is provided separately. When equipped with this option, the user can connect a CAT-5 cable for Interface to the external LAN.

MULTIPLE POWER CONNECTION CONFIGURATIONS



Standard Bottom Access Plate and Terminal Block Connections



6 Inch Extension Allows Wire Conduit Access From Rear Side

The Leader In Rugged Power Conversion Technology Since 1966

**Specifications subject to change without notice.*



NOVA ELECTRIC



FEATURES

- Complete input to output 'Galvanic' isolation.
- Almost silent high frequency operation
- Push button starting and stopping
- Diagnostic panel with LCD and LED display
- Soft start on inverter
- Overload and short circuit protection
- All electronics are built in modular front access and front removable sub assemblies for easy service and maintenance
- Remote isolated dry relay contacts
- Available options to meet military specs

CONTACT

100 School Street,
Bergenfield, NJ 07621 USA

(201) 385-0500

novaelectric.com

info@novaelectric.com



FC-UPS OPTION

Nova's Jupiter Series Frequency Converters can be equipped with optional Battery Backup (UPS) Capability. These models offer a variety of battery options to fit any application from commercial, to heavy industry, to military / harsh environment. Some of the most common configurations are:

Standard VRLA Batteries

The standard sealed VRLA batteries used in Jupiter FC-UPSs are highly efficient, leak-proof, and maintenance free. Depending on the Jupiter UPS model, Standard VRLA Batteries will be 9 AHh, 26 AHh, 75 AHh, 88 AHh, or 100 AHh cells to build 348 VDC nominal strings. In general, they have operation capabilities up to +50C, and up to 10 years in standby service (or more than 260 cycles at 100% discharge in cycle service.) Shelf life is rated at 6 months at +25C ambient temperature. Specifications vary between the different size cells, so please consult the Partial Model Selection charts herein or the factory for specific details.

Premium VRLA Batteries

Premium sealed VRLA batteries used in Jupiter FC-UPSs are high-purity cells designed to operate in harsh environment applications. An enormous selection of various cells is available to build 348 VDC nominal strings. Wide storage temperature range of -40C to +80C is available, along with expected life of up to 12 years and shelf life of up to 2 years at +25C ambient temperature. These cells generally feature metal casings, making them suitable for high shock and vibration environments commonly found in military applications. Please consult the factory for specific details.

Many other types of cells are available for specialty applications, such as the High-Rate Front Access cells shown below – please consult factory for details.



Jupiter-Series 22" Wide FC-UPS (Left) with 43.5" External Battery Cabinet shown with special High-Rate Front-Access Cells (Right)

The Leader In Rugged Power Conversion Technology Since 1966

**Specifications subject to change without notice.*



NOVA ELECTRIC



FEATURES

- Complete input to output 'Galvanic' isolation.
- Almost silent high frequency operation
- Push button starting and stopping
- Diagnostic panel with LCD and LED display
- Soft start on inverter
- Overload and short circuit protection
- All electronics are built in modular front access and front removable sub assemblies for easy service and maintenance
- Remote isolated dry relay contacts
- Available options to meet military specs

CONTACT

100 School Street,
Bergenfield, NJ 07621 USA

(201) 385-0500

novaelectric.com

info@novaelectric.com



POPULAR OPTIONS

Ruggedization

Ruggedization is highly recommended for harsh environment applications, and includes conformal coating of the Frequency Converter's PCBs to protect against humidity, condensation, and fungus growth. For military applications, we offer more structural ruggedization, as well as shock mounts, to comply with such standards as MIL-S-901, MIL-STD-810, and other demanding MIL-Specs. This option does not affect size or weight.

Complete Spare Parts Package

We offer a comprehensive spare parts package that includes one of each board, spare fuses, spare semiconductors, and spare fans. These spare parts kits are priced lower when ordered with the initial order than if they are ordered later on.

Factory Turn-On Service

We offer a turn on service for a fee that will ensure the unit has been properly installed and the full warranty is in effect. (Failures caused by incorrect installation are not covered by the warranty.) If this option is selected, the customer will also automatically receive an additional 3 months added to the warranty at no additional charge. This service is provided by factory engineers, not third party engineers. Pricing is dependent upon location, number of units, airfare rates, etc. Please contact us for more details if interested.

Customized EPO

This Emergency Power Off (EPO) Feature can be tailored to trip off current breakers or perform other inhibits per specific customer applications.

Shock and Vibration Mounts

A wide selection of mounts are available for compliance to MIL-S-901, MIL-STD-167, and other related standards.

Drip Shields for protection against falling or dripping liquids

E/f Aircraft Circuit with Output Breaker and Contactor

AUX DC Outputs

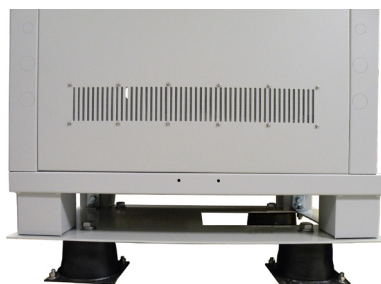
50/60 Hz Output Switch

Output Voltage Adjustment Knob $\pm 10\%$

Casters for Portability (22" Wide Models Only)

Power Distribution Units (PDUs)

Environmental Stress Screening Services



Isolation Mounts available for compliance with MIL-S-901, MIL-STD-167, MIL-STD-810, and other related standards



FREQUENCY



VOLTAGE

50/60 Hz Output Frequency Selector Switch with Output Voltage Adjustment Knob available

The Leader In Rugged Power Conversion Technology Since 1966

**Specifications subject to change without notice.*

Typical 22" Wide Jupiter Frequency Converter with Coil Shocks for MIL-S-901 Compliance



Typical 43.5" Wide Jupiter Frequency Converter with Coil Shocks for MIL-S-901 Compliance



3-PHASE INPUT/ 3-PHASE OUTPUT - SINGLE-PHASE INPUT AND / OR OUTPUT AVAILABLE OPTIONALLY ON SELECT MODELS

KVA	10	20	30	40	50	60	80	100	120	160	240	320	450
AC INPUT													
Input Voltage (VAC)	Please Specify: Three Phase WYE 115/200 120/208 220/380 230/400 240/415 277/480 Three Phase DELTA 220 3 ph 240 3 ph 380 3 ph 400 3 ph 480 3 ph Single Phase Available Optionally - Consult Factory For Details												
Input Range	± 20% (>+20% is Available Upon Request)												
Input Frequency	50/ 60 + 5Hz												
Power Walk In	0% – 100% : 20 sec												
Rectifier	98%												
Rectification Type	6 Pulse Standard, 12 Pulse Optional								12 Pulse Standard				
Battery Start (Optional)	Yes, UPS can be Started without AC Source												
Inverter (AC Output)													
Output Voltage (VAC)	Please Specify: Three Phase WYE 115/200 120/208 220/380 230/400 240/415 277/480 Three Phase DELTA 220 3 ph 240 3 ph 380 3 ph 400 3 ph 480 3 ph Single Phase Available Optionally - Consult Factory For Details												
Wave Form	Sinewave												
Output Power Factor	0.7 Lead to Lag												
Output Frequency (Free Running)	50/60/400 Hz +/- 1Hz (Crystal Controlled) please specify												
Phase Shift Under 100% Unbalanced Load	<0.5%												
THD (Linear Load)	< 2%												
OVERLOAD													
<110%	Continuous												
110-125%	Up to 15 Minutes												
125-150%	Up to 5 Minutes												
>150-170%	Up to 30 Seconds												
>170-200%	Up to 15 Seconds												
Efficiency (100% Load)	93%	93%	93%	93.50%	93.50%	94%	94.50%	94.50%	95%	95%	95%	95%	95%
OVERALL CHARACTERISTICS													
Overall Efficiency	91%	91%	91%	91.50%	92%	92%	92.50%	92.50%	93%	93%	93%	93%	93%
Maximum Power Dissipation (kw)	0.7	1.4	1.9	2.6	3	3.5	4.6	5.4	6.5	8.7	13	17.4	25.2
Maximum Heat Dissipation BTU/h @ FL	2.4K	4.8K	6.5K	8.9K	10.3K	12K	16K	19K	22k	30K	45K	60K	86K
Audible Noise	<65 dBA (at 1m)							<67dBA (at 1m)					
Temperature	0-40°C (32-104°F) (Other Ranges Available)												
Humidity	0%-95% (Non-Condensing)												
Altitude	<1500 m Above Sea Level												
EN50091-1, -2	Yes												
Short Circuit Protection	Yes												
MTBF	As per MIL-HDBK-217:30,000 Hours As per Field Experience >100,000 Hours for Loss of AC Output												
Lightning / EMC Filter	MOV / Input & Output (FCC CLASS A)												
Galvanic Isolation	Input and Output True Galvanic Isolation												
LED, LCD, Audible Alarm	Yes												
Remote Control and Communication Interface Choices	Dry Contact, RS-232, RS-485 (Optional,) UPScan Monitoring 1~ 99 Units Simultaneously (Optional,) Netagent (Optional,) MODBUS (Optional,)												

*Specifications subject to change without notice.



**PARTIAL 50 HZ THREE-PHASE OUTPUT MODEL SELECTION -
SINGLE-PHASE INPUT AND / OR OUTPUT AVAILABLE OPTIONALLY ON SELECT MODELS**

50 HZ MODEL	KVA	KW	IN (VAC)	OUT (VAC)	SIZE IN. (HxWxD)	WEIGHT (KG)	WEIGHT (LBS)
JFC10K3/5-120/208-220/380	10	8	120/208	220/380	63 x 22 x 31.5	290	638
JFC20K3/5-120/208-220/380	20	16	120/208	220/380	63 x 22 x 31.5	330	726
JFC30K3/5-120/208-220/380	30	24	120/208	220/380	63 x 22 x 31.5	480	1056
JFC40K3/5-120/208-220/380	40	32	120/208	220/380	63 x 22 x 31.5	560	1232
JFC50K3/5-120/208-220/380	50	40	120/208	220/380	63 x 22 x 31.5	650	1430
JFC60K3/5-120/208-220/380	60	48	120/208	220/380	63 x 22 x 31.5	780	1716
JFC80K3/5-120/208-220/380	80	64	120/208	220/380	63 x 43.5 x 31.5	920	2024
JFC100K3/5-120/208-220/380	100	80	120/208	220/380	63 x 43.5 x 31.5	1050	2310
JFC120K3/5-120/208-220/380	120	96	120/208	220/380	63 x 43.5 x 31.5	1300	2826
JFC160K3/5-120/208-220/380	160	128	120/208	220/380	63 x 43.5 x 31.5	1600	3520
JFC200K3/5-277/480-220/380	200	160	277/480	220/380	63 x 87.0 x 31.5	2700	5940
JFC240K3/5-277/480-220/380	240	192	277/480	220/380	63 x 87.0 x 31.5	2900	6380
JFC300K3/5-277/480-220/380	300	240	277/480	220/380	63 x 87.0 x 31.5	3200	7040
JFC320K3/5-277/480-220/380	320	256	277/480	220/380	63 x 87.0 x 31.5	3300	7260
JFC450K3/5-277/480-220/380	450	360	277/480	220/380	63 x 130 x 31.5	5100	11385
JFC600K3/5-277/480-220/380	600	480	277/480	220/380	75 x 154 x 39.5	5886	12950

*Specifications subject to change without notice.

Other voltages available include 230/400 VAC, 220 VAC Three-Phase Delta, 240 VAC Three-Phase Delta, 380 VAC Three-Phase Delta, 440 VAC Three-Phase Delta, 480 VAC Three-Phase Delta, and others – please consult factory for details.

**PARTIAL 60 HZ THREE-PHASE OUTPUT MODEL SELECTION -
SINGLE-PHASE INPUT AND / OR OUTPUT AVAILABLE OPTIONALLY ON SELECT MODELS**

60 HZ MODEL	KVA	KW	IN (VAC)	OUT (VAC)	SIZE IN. (HxWxD)	WEIGHT (KG)	WEIGHT (LBS)
JFC10K3/6-220/380-120/208	10	8	220/380	120/208	63 x 22 x 31.5	270	590
JFC20K3/6-220/380-120/208	20	16	220/380	120/208	63 x 22 x 31.5	300	660
JFC30K3/6-220/380-120/208	30	24	220/380	120/208	63 x 22 x 31.5	400	880
JFC40K3/6-220/380-120/208	40	32	220/380	120/208	63 x 22 x 31.5	400	880
JFC50K3/6-220/380-120/208	50	40	220/380	120/208	63 x 22 x 31.5	550	1210
JFC60K3/6-220/380-120/208	60	48	220/380	120/208	63 x 22 x 31.5	680	1495
JFC80K3/6-220/380-120/208	80	64	220/380	120/208	63 x 43.5 x 31.5	820	1800
JFC100K3/6-220/380-120/208	100	80	220/380	120/208	63 x 43.5 x 31.5	950	2090
JFC120K3/6-220/380-120/208	120	96	220/380	120/208	63 x 43.5 x 31.5	1180	2596
JFC160K3/6-220/380-120/208	160	128	220/380	120/208	63 x 43.5 x 31.5	1450	3190
JFC200K3/6-220/380-277/480	200	160	220/380	277/480	63 x 87.0 x 31.5	2500	5500
JFC240K3/6-220/380-277/480	240	192	220/380	277/480	63 x 87.0 x 31.5	2700	5940
JFC300K3/6-220/380-277/480	300	240	220/380	277/480	63 x 87.0 x 31.5	3000	6600
JFC320K3/6-220/380-277/480	320	256	220/380	277/480	63 x 87.0 x 31.5	3100	6800
JFC450K3/6-220/380-277/480	450	360	220/380	277/480	63 x 87.0 x 31.5	4500	9900
JFC600K3/6-220/380-277/480	600	480	220/380	277/480	75 x 154 x 39.5	5000	11000

*Specifications subject to change without notice.

Other voltages available include 230/400 VAC, 220 VAC Three-Phase Delta, 240 VAC Three-Phase Delta, 380 VAC Three-Phase Delta, 440 VAC Three-Phase Delta, 480 VAC Three-Phase Delta, and others – please consult factory for details.



PARTIAL 400 HZ THREE-PHASE OUTPUT MODEL SELECTION - SINGLE-PHASE INPUT AND / OR OUTPUT AVAILABLE OPTIONALLY ON SELECT MODELS

400 HZ MODEL	KVA	KW	IN (VAC)	OUT (VAC)	SIZE IN. (HxWxD)	WEIGHT (KG)	WEIGHT (LBS)
JFC10K3/4-120/208-115/200	10	8	120/208	115/200	63 x 22 x 31.5	270	590
JFC20K3/4-120/208-115/200	20	16	120/208	115/200	63 x 22 x 31.5	310	680
JFC30K3/4-120/208-115/200	30	24	120/208	115/200	63 x 22 x 31.5	460	1010
JFC40K3/4-120/208-115/200	40	32	120/208	115/200	63 x 22 x 31.5	550	1170
JFC50K3/4-120/208-115/200	50	40	120/208	115/200	63 x 22 x 31.5	620	1360
JFC60K3/4-120/208-115/200	60	48	120/208	115/200	63 x 22 x 31.5	730	1605
JFC80K3/4-120/208-115/200	80	64	120/208	115/200	63 x 43.5 x 31.5	870	1910
JFC100K3/4-120/208-115/200	100	80	120/208	115/200	63 x 43.5 x 31.5	1100	2200
JFC120K3/4-120/208-115/200	120	96	120/208	115/200	63 x 43.5 x 31.5	1220	2680
JFC160K3/4-120/208-115/200	160	128	120/208	115/200	63 x 43.5 x 31.5	1220	2680
JFC200K3/4-277/480-115/200	200	160	277/480	115/200	63 x 87.0 x 31.5	2500	5500
JFC240K3/4-277/480-115/200	240	192	277/480	115/200	63 x 87.0 x 31.5	2700	5940
JFC300K3/4-277/480-115/200	300	240	277/480	115/200	63 x 87.0 x 31.5	3000	6600
JFC320K3/4-277/480-115/200	320	256	277/480	115/200	63 x 87.0 x 31.5	3100	6820
JFC450K3/4-277/480-115/200	450	360	277/480	115/200	63 x 130 x 31.5	4500	9900
JFC600K3/4-277/480-115/200	600	480	277/480	115/200	75 x 154 x 39.5	5000	11000
JFC900K3/4-277/480-115/200	900	720	277/480	115/200	75 x 176 x 39.5	7500	16500

*Specifications subject to change without notice.

Other voltages available include 230/400 VAC, 220 VAC Three-Phase Delta, 240 VAC Three-Phase Delta, 380 VAC Three-Phase Delta, 440 VAC Three-Phase Delta, 480 VAC Three-Phase Delta, and others – please consult factory for details.

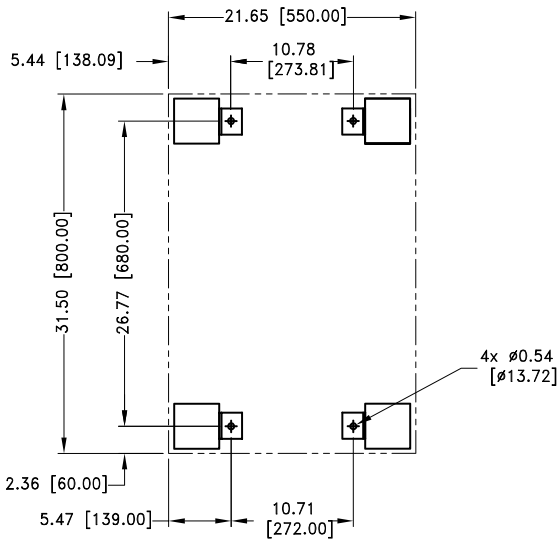
PARTIAL SINGLE-PHASE OUTPUT FREQUENCY CONVERTER MODEL SELECTION

MODEL	KVA	KW	INPUT	OUTPUT	SIZE IN. (HxWxD)	WEIGHT (KG)	WEIGHT (LBS)
JFC10K50-120-220	10	8	120 VAC, 60 Hz, Single-Phase	220 VAC, 50 Hz, Single-Phase	63 x 22 x 31.5	270	590
JFC10K50-120/208-220	10	8	120/208 VAC, 60 Hz, Three-Phase	220 VAC, 50 Hz, Single-Phase	63 x 22 x 31.5	270	590
JFC10K60-220-120	10	8	220 VAC, 50 Hz, Single-Phase	120 VAC, 60 Hz, Single-Phase	63 x 22 x 31.5	270	590
JFC10K60-220/380-120	10	8	220/380 VAC, 50 Hz, Three-Phase	120 VAC, 60 Hz, Single-Phase	63 x 22 x 31.5	270	590
JFC10K400-120-115	10	8	120 VAC, 60 Hz, Single-Phase	115 VAC, 400 Hz, Single-Phase	63 x 22 x 31.5	270	590
JFC10K400-120/208-115	10	8	120/208 VAC, 60 Hz, Three-Phase	115 VAC, 400 Hz, Single-Phase	63 x 22 x 31.5	270	590
JFC20K50-120-220	20	16	120 VAC, 60 Hz, Single-Phase	220 VAC, 50 Hz, Single-Phase	63 x 22 x 31.5	310	680
JFC20K50-120/208-220	20	16	120/208 VAC, 60 Hz, Three-Phase	220 VAC, 50 Hz, Single-Phase	63 x 22 x 31.5	310	680
JFC20K60-220-120	20	16	220 VAC, 50 Hz, Single-Phase	120 VAC, 60 Hz, Single-Phase	63 x 22 x 31.5	310	680
JFC20K60-220/380-120	20	16	220/380 VAC, 50 Hz, Three-Phase	120 VAC, 60 Hz, Single-Phase	63 x 22 x 31.5	310	680
JFC20K400-120-115	20	16	120 VAC, 60 Hz, Single-Phase	115 VAC, 400 Hz, Single-Phase	63 x 22 x 31.5	310	680
JFC20K400-120/208-115	20	16	120/208 VAC, 60 Hz, Three-Phase	115 VAC, 400 Hz, Single-Phase	63 x 22 x 31.5	310	680
JFC30K50-120-220	30	24	120 VAC, 60 Hz, Single-Phase	220 VAC, 50 Hz, Single-Phase	63 x 22 x 31.5	460	1010
JFC30K50-120/208-220	30	24	120/208 VAC, 60 Hz, Three-Phase	220 VAC, 50 Hz, Single-Phase	63 x 22 x 31.5	460	1010
JFC30K60-220-120	30	24	220 VAC, 50 Hz, Single-Phase	120 VAC, 60 Hz, Single-Phase	63 x 22 x 31.5	460	1010
JFC30K60-220/380-120	30	24	220/380 VAC, 50 Hz, Three-Phase	120 VAC, 60 Hz, Single-Phase	63 x 22 x 31.5	460	1010
JFC30K400-120-115	30	24	120 VAC, 60 Hz, Single-Phase	115 VAC, 400 Hz, Single-Phase	63 x 22 x 31.5	460	1010
JFC30K400-120/208-115	30	24	120/208 VAC, 60 Hz, Three-Phase	115 VAC, 400 Hz, Single-Phase	63 x 22 x 31.5	460	1010

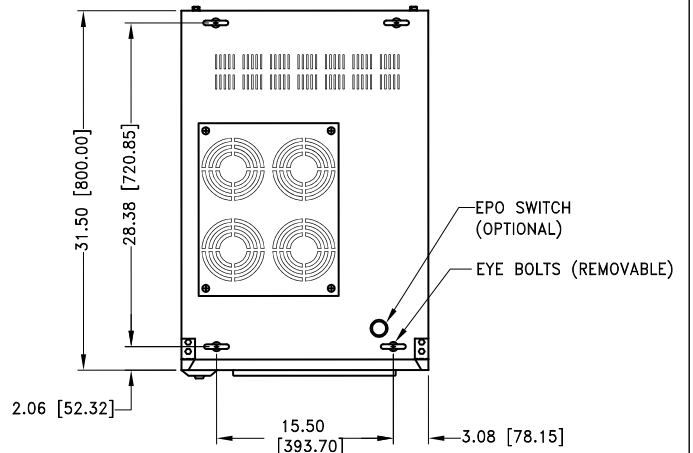
*Specifications subject to change without notice.



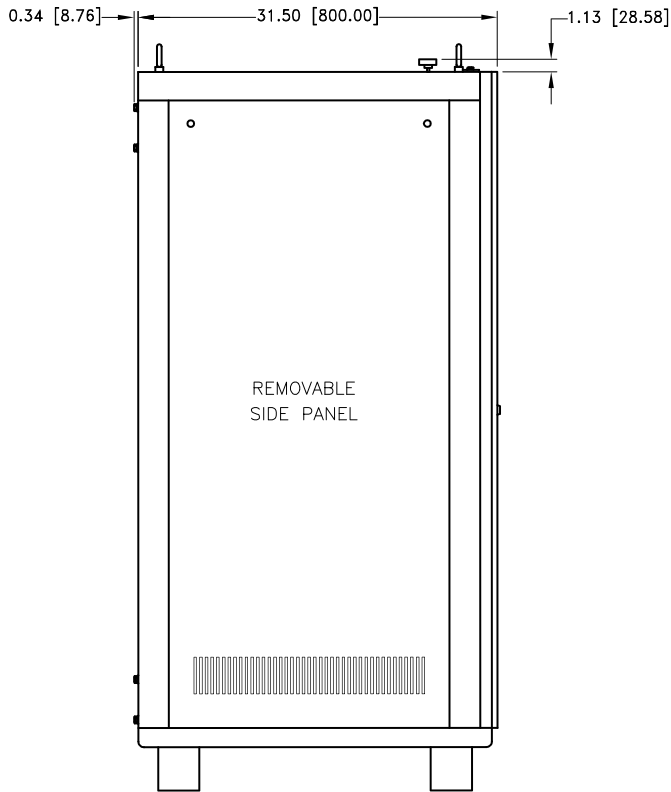
TYPICAL DIMENSION DRAWINGS (22" WIDE CABINET)



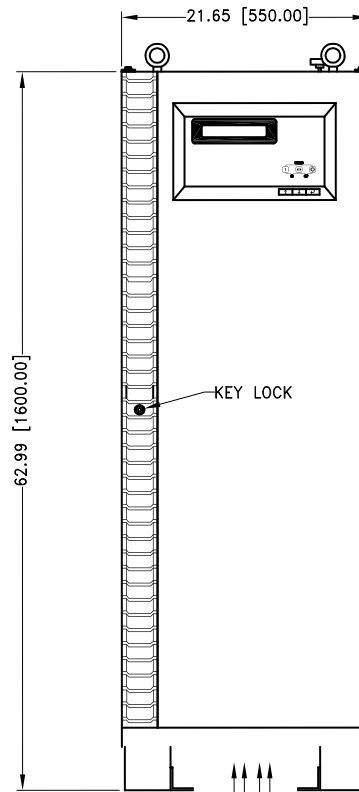
FOOT AND TIE DOWN BRACKET HOLE PATTERN



TOP VIEW



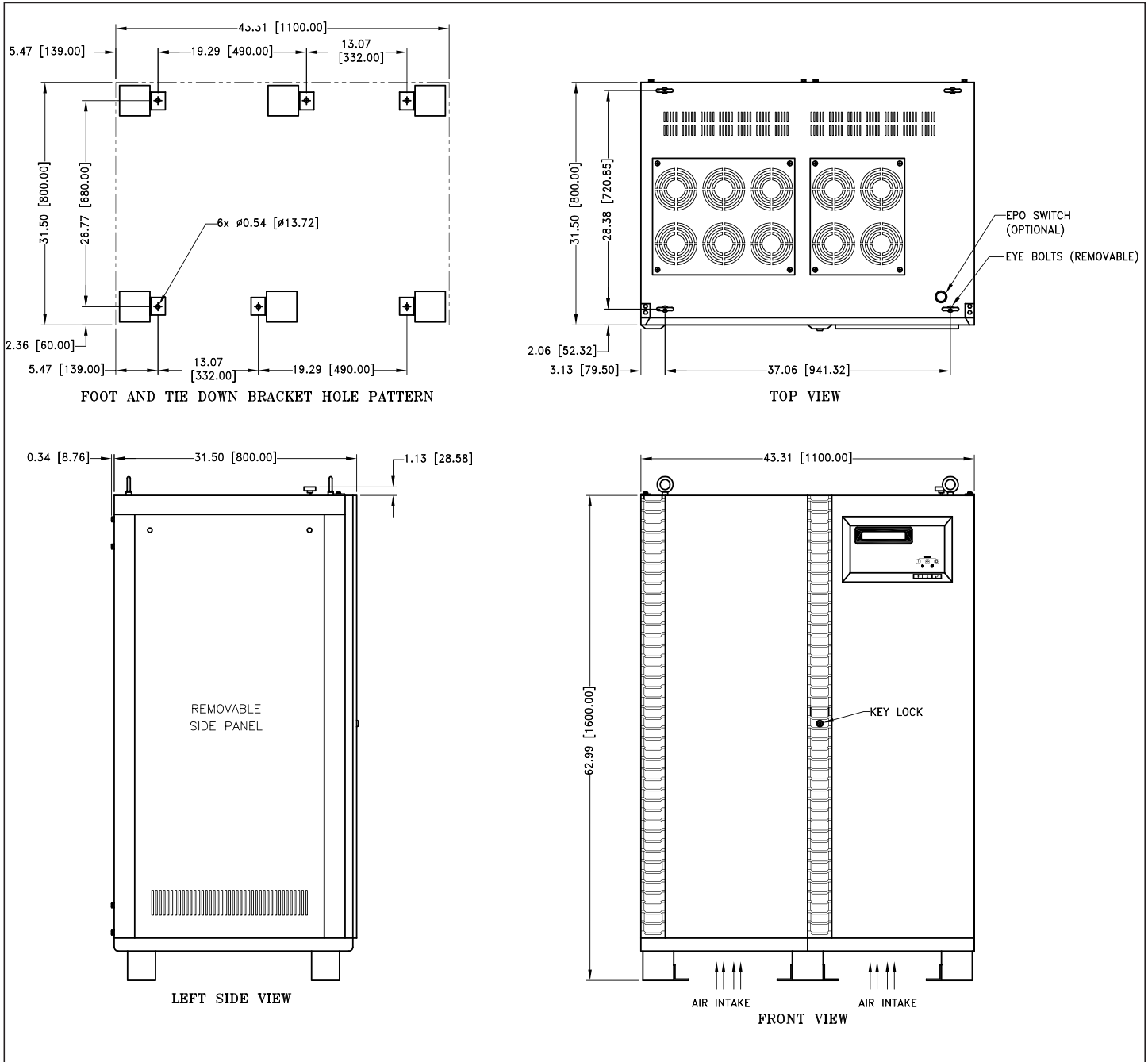
LEFT SIDE VIEW



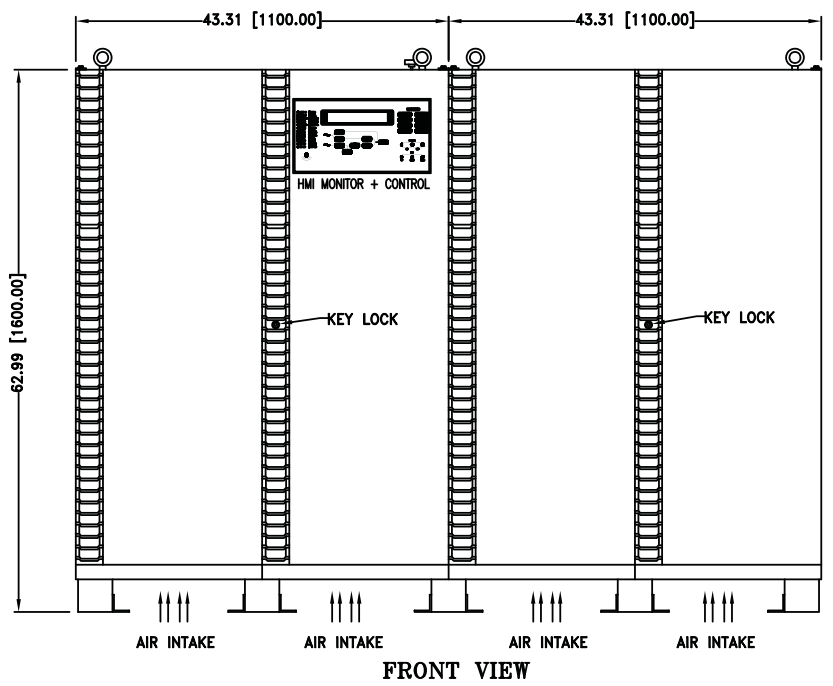
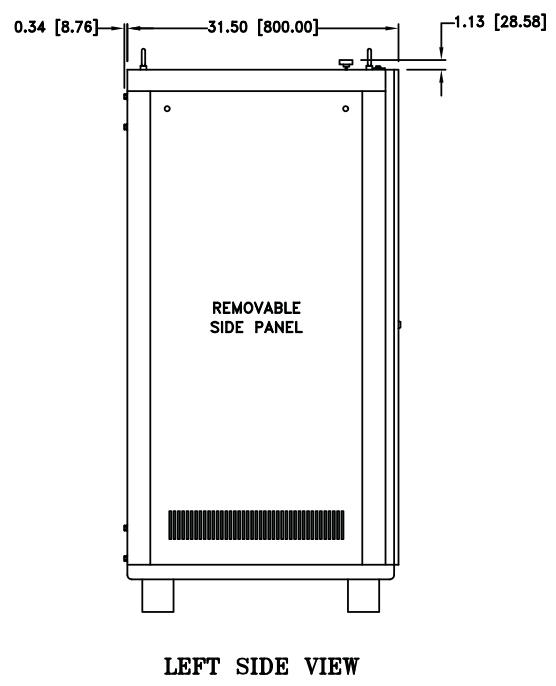
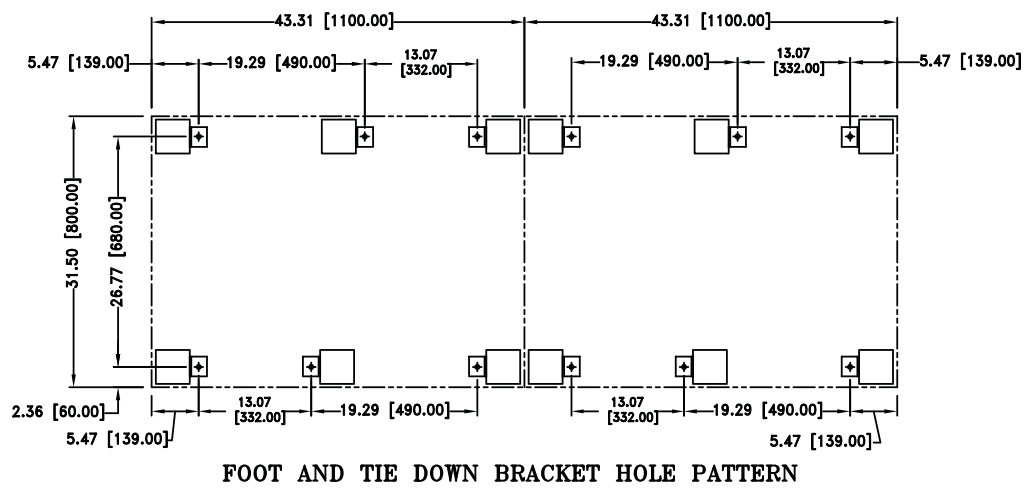
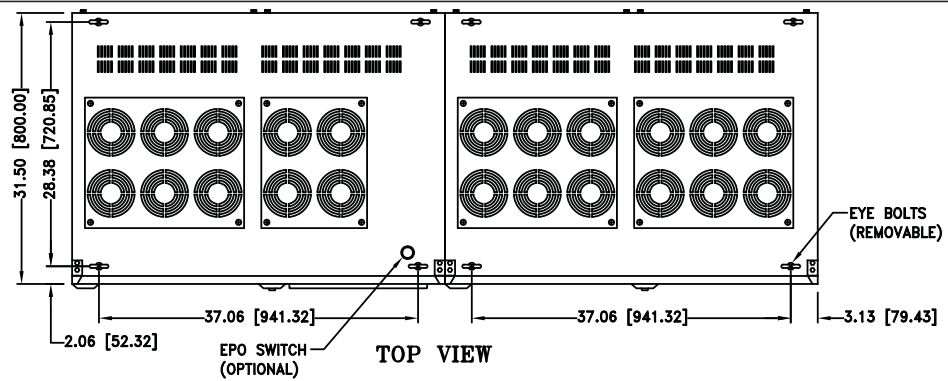
FRONT VIEW



TYPICAL DIMENSION DRAWINGS (43.5" WIDE CABINET)



TYPICAL DIMENSION DRAWINGS (87" WIDE CABINET)





RUGGED AC POWER SYSTEMS



SELECT UNITS QUALIFIED TO MIL-STD-810, MIL-S-901, MIL-STD-1399, MIL-STD-461, MIL-STD-167, MIL-STD-740, RTCA/DO-160, AND MORE

RUGGED TRUE ONLINE UPS



500 W – 500+ KW

Rack Mount, Bulkhead Mount, and Freestanding

Single and Three Phase

50, 60, and 400 Hz.

PURE SINEWAVE DC-AC INVERTERS



100 W – 500+ KW

Rack Mount, Bulkhead Mount, and Freestanding

Single and Three Phase

50, 60, and 400 Hz.

SOLID-STATE FREQUENCY CONVERTERS



100 W – 500+ KW

Rack Mount, Bulkhead Mount, and Freestanding

Single and Three Phase

50, 60, and 400 Hz.

POWER DISTRIBUTION UNITS (PDUs)



Basic, Switched, Auto-Transfer Switching, and Metered Configurations

Rack Mount, Bulkhead Mount, and Freestanding

Single and Three Phase

CUSTOM EMI FILTERS



For MIL-STD-461 Compliance

Rack Mount, Bulkhead Mount, and Freestanding

Single and Three Phase

RUGGED PORTABLE TRANSFORMERS



100 W – 500+ KW

Rack Mount, Bulkhead Mount, and Freestanding

Single and Three Phase

EXTERNAL MAINTENANCE BYPASS SWITCHES (MBSSs)



Rack Mount, Bulkhead Mount, and Freestanding

Single and Three Phase

CUSTOM DESIGNS



Designed & Built to Spec

Integrated AC & DC Capabilities

Multiple Outputs

RELIABLE AC POWER WHEN AND WHERE YOU NEED IT SEVERE ENVIRONMENT PRODUCTS



- AIRBORNE
- SHIPBOARD
- MOBILE
- RACK MOUNT & FREESTANDING
- 50, 60, AND 400 Hz
- AIR & WATER COOLED
- SINGLE AND THREE PHASE
- LIGHTWEIGHT DESIGNS