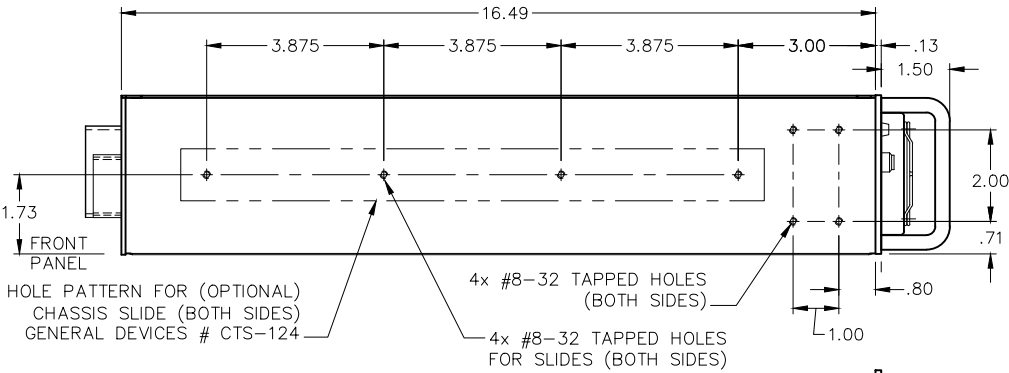
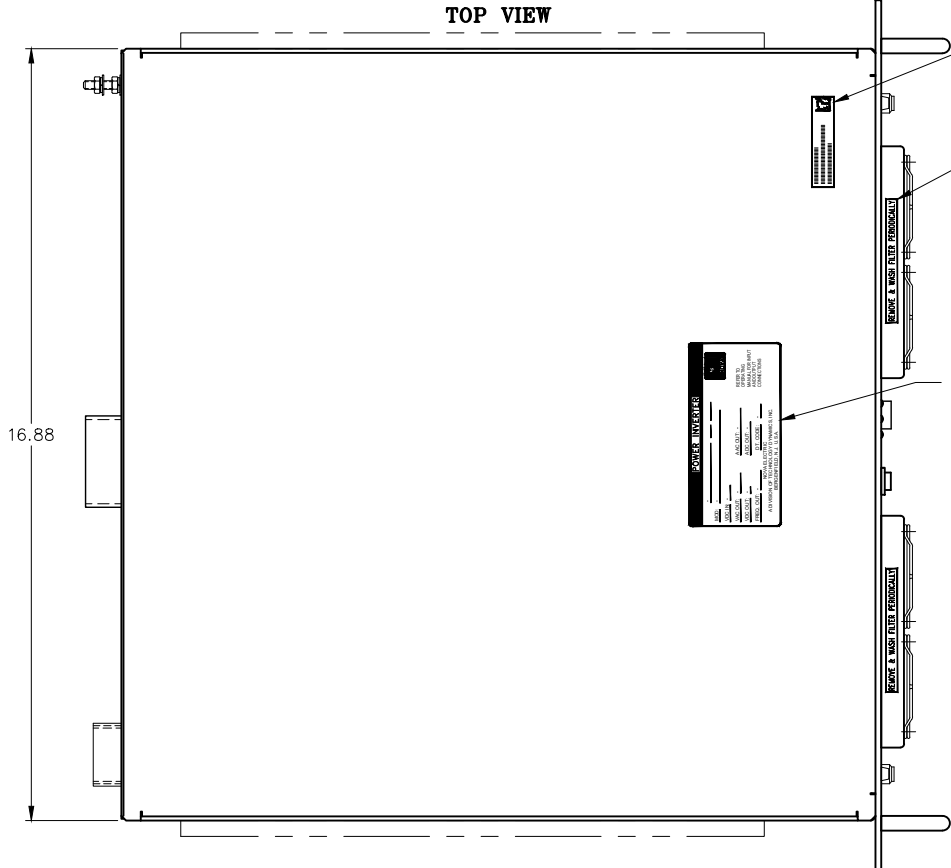


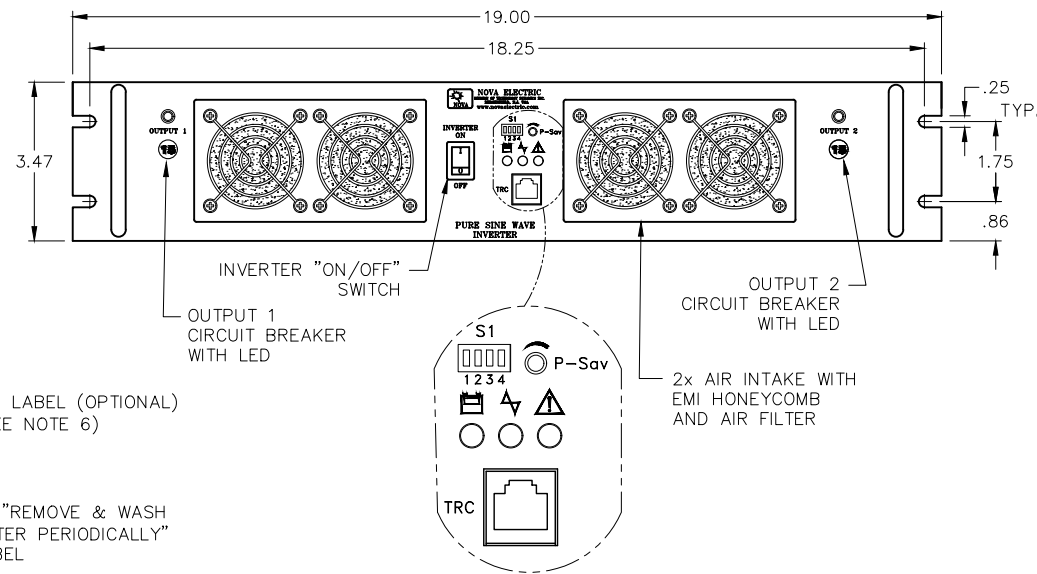
LEFT SIDE VIEW



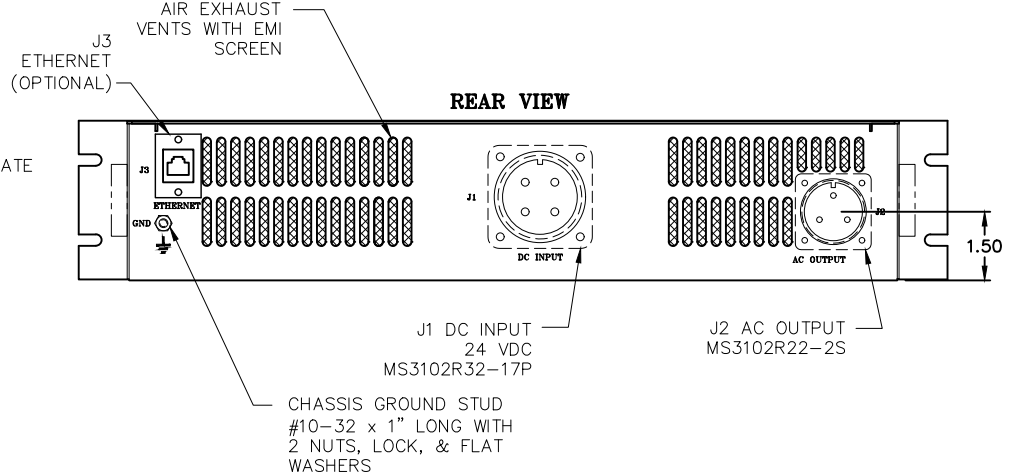
TOP VIEW



FRONT VIEW



REAR VIEW



TYPICAL CONNECTORS PIN DESIGNATION

J1 DC INPUT

MS3102R32-17P	
PIN	DESCRIPTION
A	DC + (POS)
B	DC + (POS)
C	DC - (NEG)
D	DC - (NEG)

J2 AC OUTPUT

MS3102R22-2S	
PIN	DESCRIPTION
A	LINE
B	NEUTRAL
C	GROUND

TYPICAL RCGP 3K INVERTER

NOTES:

1. ALL DIMENSIONS ARE IN INCHES, UNLESS OTHERWISE SPECIFIED.
2. ALL UNDIMENSIONED PICTORIAL CONFIGURATIONS ARE FOR REFERENCE ONLY.
3. FRONT, REAR, AND TOP MARKINGS FOR REFERENCE ONLY.
4. FRONT PANEL PAINTED - ANSI #61 GRAY SEMI-GLOSS. ALL OTHER SURFACES ARE YELLOW IRRIDATED ALUMINUM.
5. SILK-SCREEN IN BLACK EPOXY INK.
6. IF CONTRACTUALLY REQUIRED, MIL-STD-130 UID LABEL IS PLACED HERE.