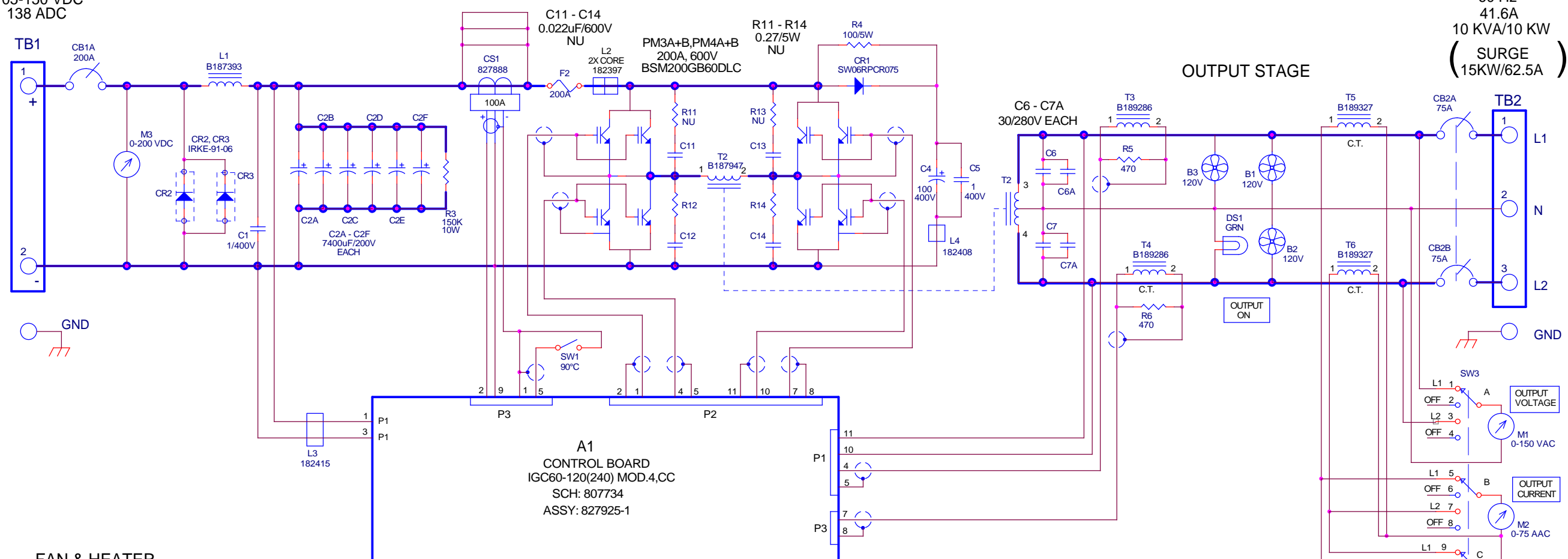


REVISIONS				
SYM	DESCRIPTION	BY	APP	DATE

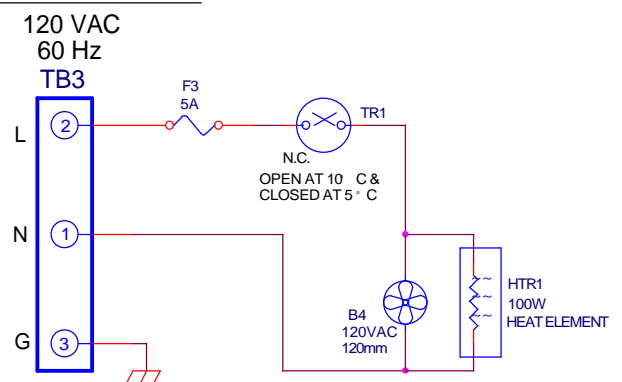
**DC INPUT**  
105-150 VDC  
138 ADC

**POWER STAGE**

**AC OUTPUT**  
120/240 VAC  
60 Hz  
41.6A  
10 KVA/10 KW  
( SURGE )  
15KW/62.5A



**FAN & HEATER POWER**



**ANTI CONDENSATION CKT**

- NOTES:
- UNLESS OTHERWISE SPECIFIED
  - A) ALL CAPACITORS ARE IN MICROFARADS.
  - B) ALL RESISTORS ARE IN OHMS & 1/4W.
  - A4-A7 ARE DRIVER BOARDS MOUNTED ON THE IGBT'S

ELECTRONIC COPIES SHALL NOT BE DISCLOSED OUTSIDE OF THE INTENDED RECIPIENTS. PAPER COPIES SHALL BE SHREDDED WHEN COMPANY NO LONGER REQUIRED.

THIS DOCUMENT CONTAINS INFORMATION WHICH IS CONFIDENTIAL, MAY BE COMPANY PROPRIETARY, AND MAY BE CONSIDERED CUI INFORMATION SHOULD BE PROTECTED IN ACCORDANCE WITH ESTABLISHED PROCEDURES & POLICIES.

**NOVA ELECTRIC**  
A DIVISION OF TECHNOLOGY DYNAMICS, INC.  
100 SCHOOL STREET  
BERGENFIELD, NJ 07621

**GH10K60-120(120/240)**

DWN BY: JC 3/11/19  
CHK BY: MM 3/11/19

APP BY: AL 3/11/19

Tuesday, March 19, 2019

Size: 29019  
CAGE Code: 29019  
DWG NO: 9081103  
Rev: -

Scale: N/A  
www.novaelectric.com  
Sheet: 1 of 1