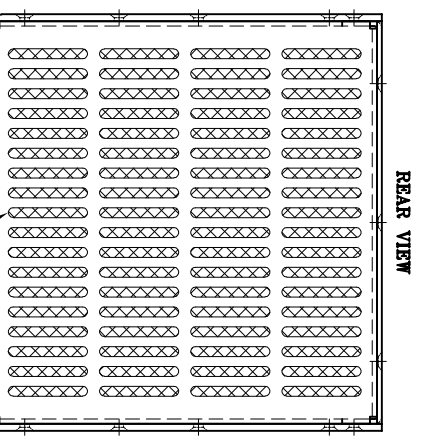
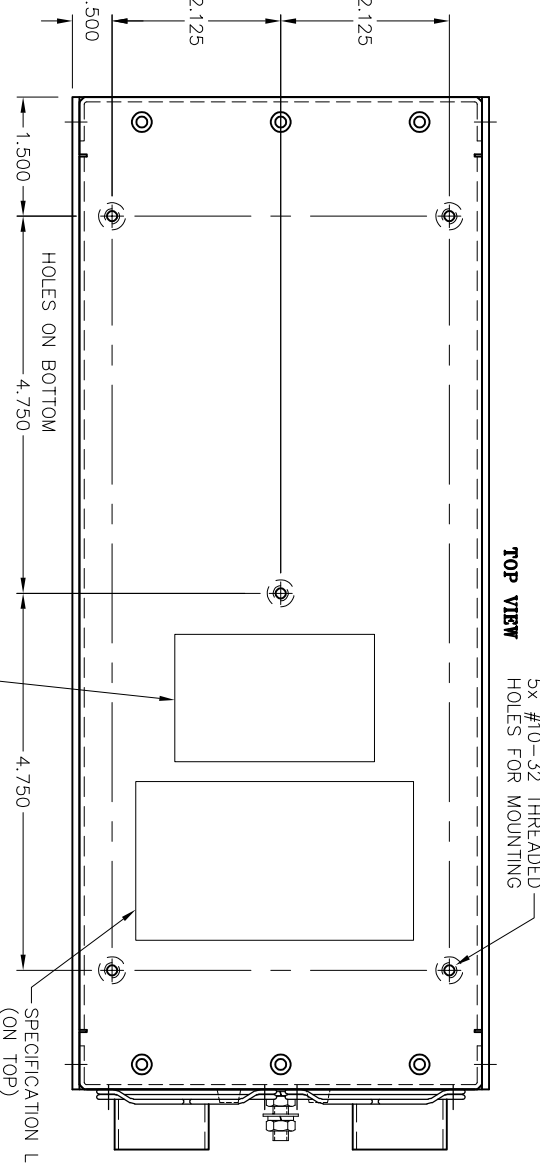
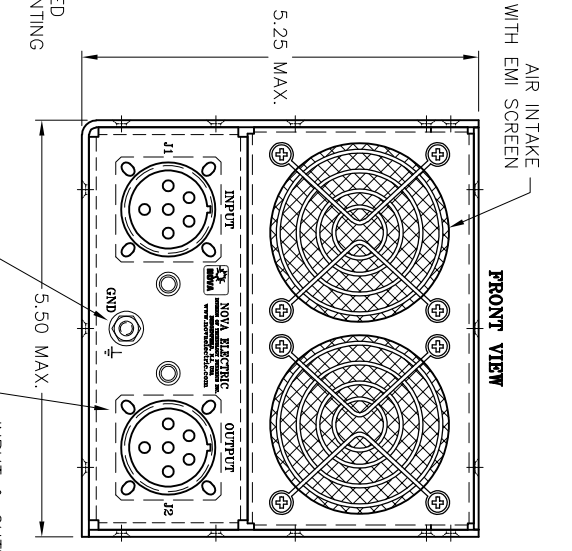
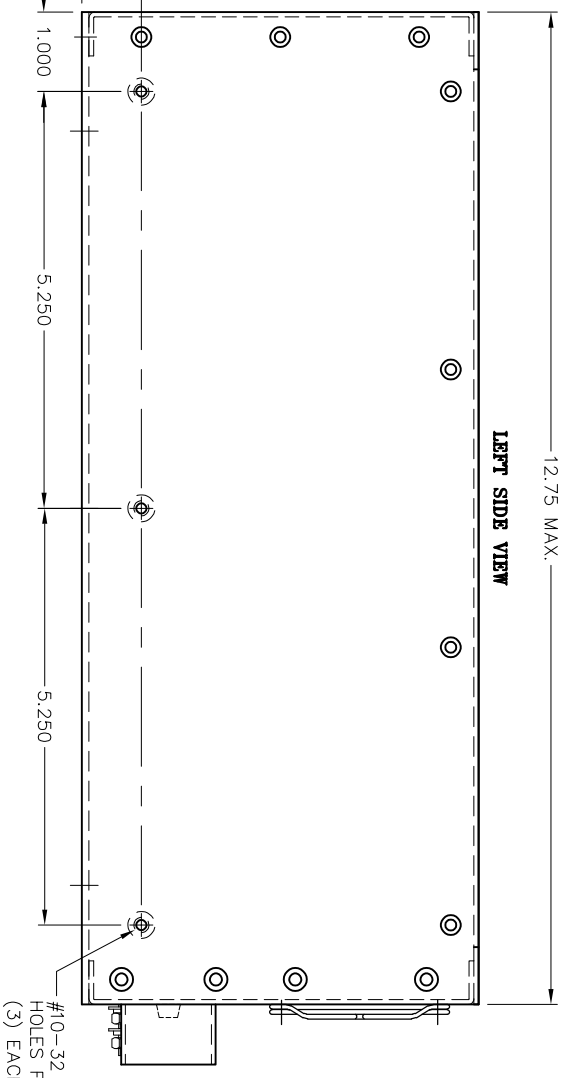


REVISIONS		BY	APR	DATE
1				
2				
3				
4				
5				
6				
7				
8				



- NOTES:**
1. ALL DIMENSIONS ARE IN INCHES.
 2. ALL UNDIMENSIONED PICTORIAL CONFIGURATIONS ARE FOR REFERENCE ONLY.
 3. MAXIMUM MOUNTING SCREWS PENETRATION: .25"
 4. UNIT THROUGHLY RUGGEDIZED.
 5. ALL EXTERIOR METAL PARTS ARE ALUMINUM 5052-H32.
 6. ALUMINUM PARTS FINISH: TRIVALENT CONVERSION COATING AS PER MIL-DTL-5541, TYPE II, CLASS 1A. (CLEAR)
 7. FRONT PANEL SILK-SCREENED IN BLACK EPOXY INK.
 8. APPROXIMATE WEIGHT: 8 LBS.
 9. INSTALL AS FOLLOWS: STAR SS WASHER, THEN BRASS WASHER, THEN BRASS NUT, THEN CUSTOMER LUG, THEN STAR WASHER AND BRASS NUT.

CONNECTOR PIN DESIGNATIONS

J1 INPUT		J2 OUTPUT	
PIN	DESCRIPTION	PIN	DESCRIPTION
A	LINE	A	LINE
B	NEUTRAL	B	NEUTRAL
C	GROUND	C	GROUND
D	NOT USED	D	NOT USED
E	NOT USED	E	NOT USED
F	NOT USED	F	NOT USED

THIS DOCUMENT CONTAINS INFORMATION WHICH IS CONFIDENTIAL, MAY BE REPRODUCED OR TRANSMITTED IN ANY FORM OR BY ANY MEANS, WITHOUT PERMISSION IN WRITING FROM NOVVA ELECTRIC, INC. THIS DOCUMENT IS THE PROPERTY OF NOVVA ELECTRIC, INC. IT IS TO BE USED IN ACCORDANCE WITH ESTABLISHED PROCEDURES & POLICIES. TOLERANCES UNLESS OTHERWISE SPECIFIED ARE: .005" UNLESS OTHERWISE NOTED. DIMENSIONS IN INCHES UNLESS OTHERWISE NOTED. ANGLE = 3/16"

PAPER COPIES SHALL BE SHREDED WHEN NO LONGER REQUIRED. ELECTRONIC COPIES SHALL NOT BE DISCLOSED OUTSIDE OF THE INTENDED RECIPIENTS.

NOVA ELECTRIC
 100 SCHOOL STREET
 BERGENFIELD, N.J. 07821-2915
 OUTLINE DRAWING
 NGFC/PC-MIL
 9981106
 08/25/19
 DO NOT SCALE SIZE CAGE: 29019 SHEET 1 of 1 REV.