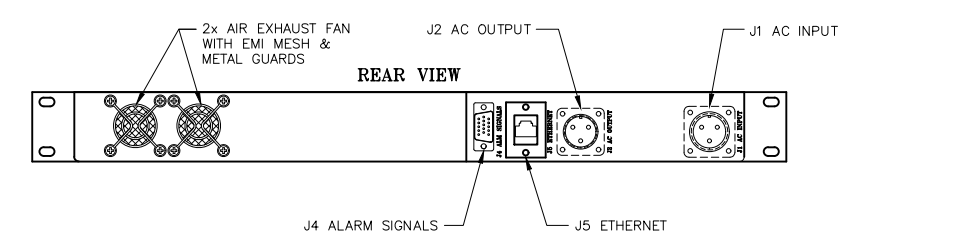
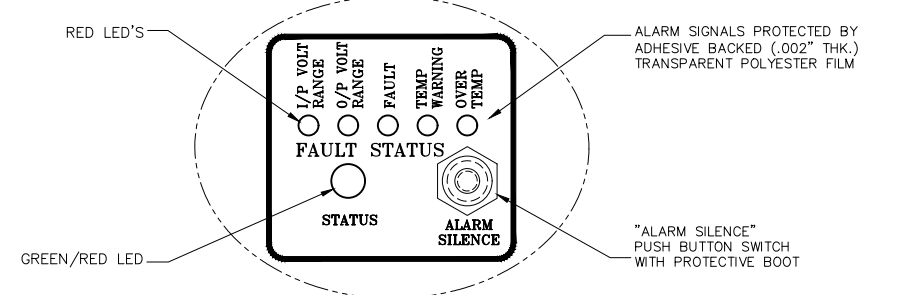
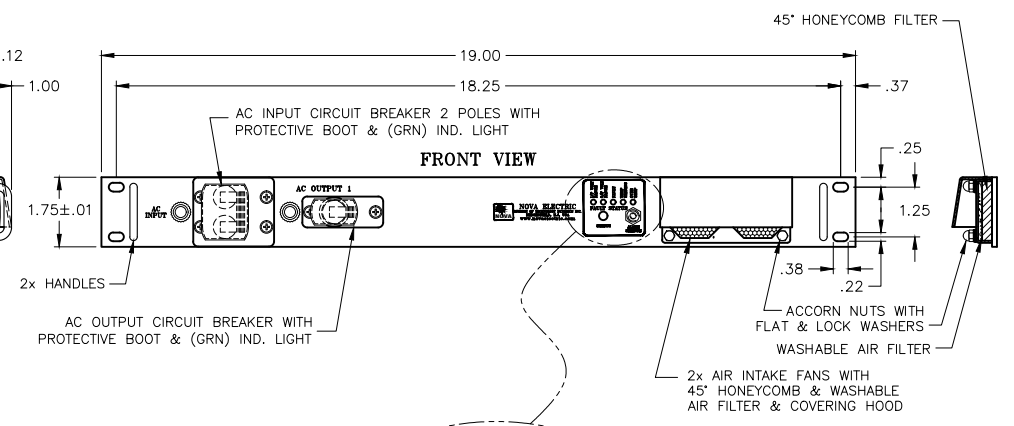
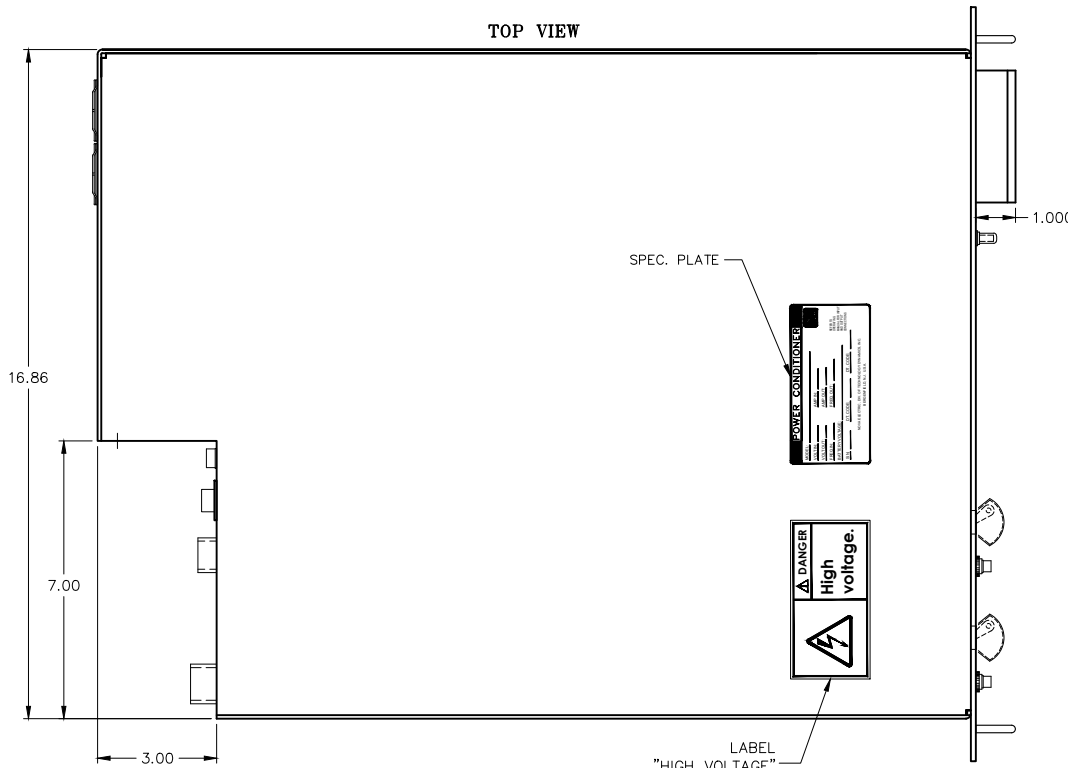
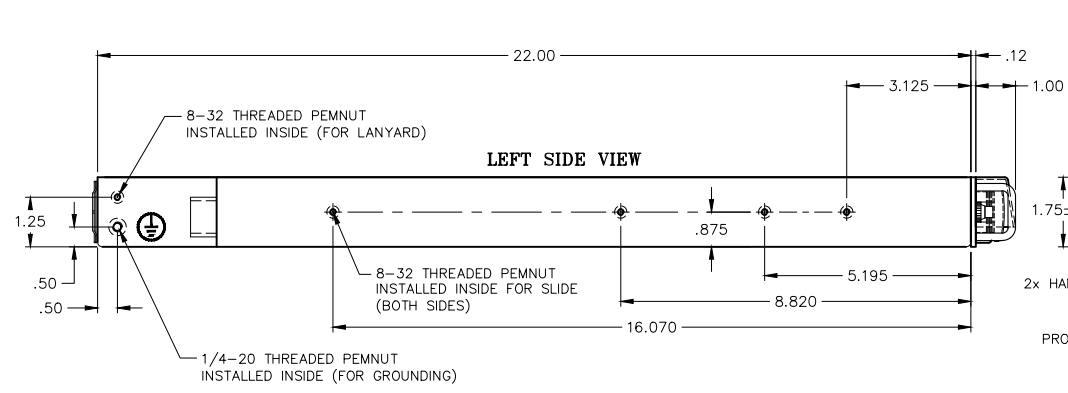


REVISIONS			
LTR	DESCRIPTION	BY	DATE
-	-	-	-
-	-	-	-



CONNECTOR PIN DESIGNATIONS

- NOTES:
- ALL DIMENSIONS ARE IN INCHES.
 - ALL UNDIMENSIONED PICTORIAL CONFIGURATIONS ARE FOR REFERENCE ONLY.
 - FRONT AND REAR MARKING FOR REFERENCE ONLY.
 - FINISH: YELLOW IRRIDITE (CLASS-3), THEN PRIME & EDGES - ANSI #61 GRAY SEMI-GLOSS. ALL OTHER SURFACES ARE IRRIDITED (ALUMINUM).
 - FRONT AND REAR PANELS SILK-SCREENED IN BLACK EPOXY INK.

J1 AC INPUT		J2 AC OUTPUT		J4 ALARM SIGNALS (OPTIONAL)		J5 SNMP ETHERNET (OPTIONAL)	
MS3102R16-10P		MS3102A14S-1S		M24308/2-11F		RJ45	
PIN	DESCRIPTION	PIN	DESCRIPTION	PIN	DESCRIPTION	100/10 Base TX/RX Signal	
A	Phase A, 115VAC	A	120VAC (Line 1)	1 & 2	POWER ON/RTN		
B	Phase B, 115VAC	B	120VAC (Neutral)	3	SPARE		
C	SAFETY GROUND	C	SAFETY GROUND	4 & 5	BATTLESHORT/RTN		
				6 & 7	POWER OUTPUT ON/RTN		
				8 & 9	OVER TEMP WARN/RTN		
				11 & 12	OVER TEMP UNSAFE/RTN		
				10 & 13	SPARE		
				14 & 15	PWR CONDITIONER FAULT/RTN		

PAPER COPIES SHALL BE SHREDDED WHEN NO LONGER REQUIRED. ELECTRONIC COPIES SHALL NOT BE DISCLOSED OUTSIDE OF THE INTENDED RECIPIENTS.

THIS DOCUMENT CONTAINS INFORMATION WHICH IS CONFIDENTIAL, MAY BE COMPANY PROPRIETARY, AND MAY BE CONSIDERED CUI. INFORMATION SHOULD BE PROTECTED IN ACCORDANCE WITH ESTABLISHED PROCEDURES & POLICIES.

TOLERANCES UNLESS OTHERWISE SPECIFIED
 .XX = ± .02
 .XXX = ± .005
 ANGLE = ± 1/2°

THIRD ANGLE PROJECTION

NOVA ELECTRIC
 A DIV. OF TECHNOLOGY DYNAMICS, INC.
 100 SCHOOL STREET
 BERGENFIELD, N.J. 07621-2915

OUTLINE DRAWING, GRSLPFC1K

9981109

DO NOT SCALE

WWW.NOVAELECTRIC.COM

APPROVED DATE: 10/28/19

CAGE: 29019 SHEET: 1 of 1 REV.

J:\NE\Eng\AUTO CAD\2981_OUTLINE DRAWINGS\9981109_01\GRSLPFC1K60-115-115-1U.DWG, 10/28/2019, 15:13:38 PM