
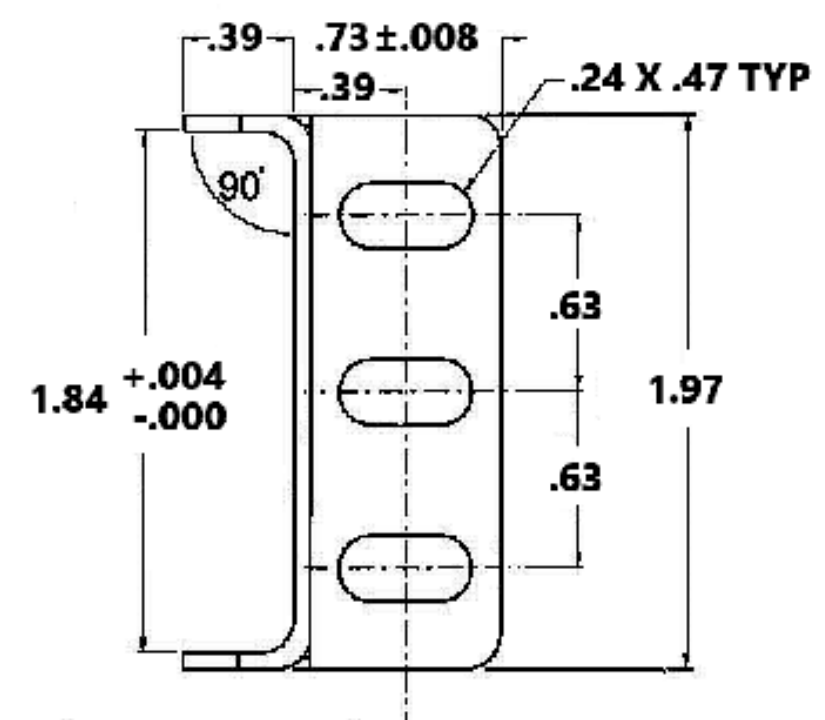
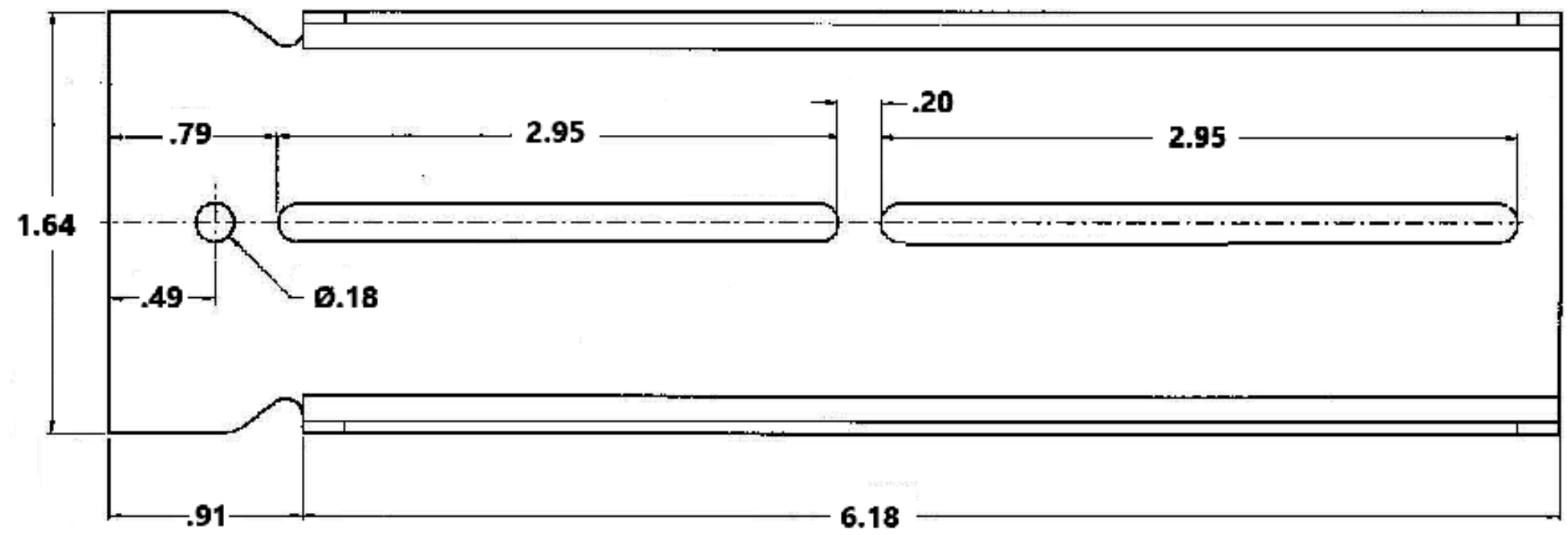
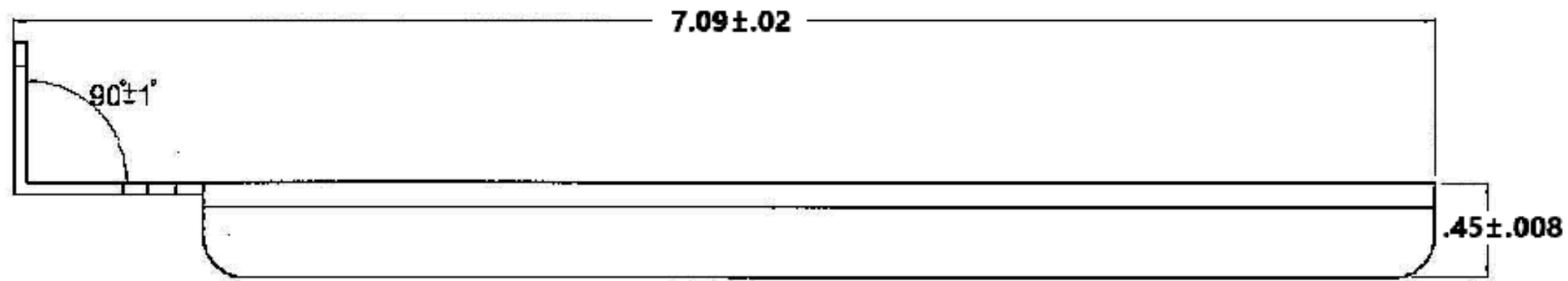
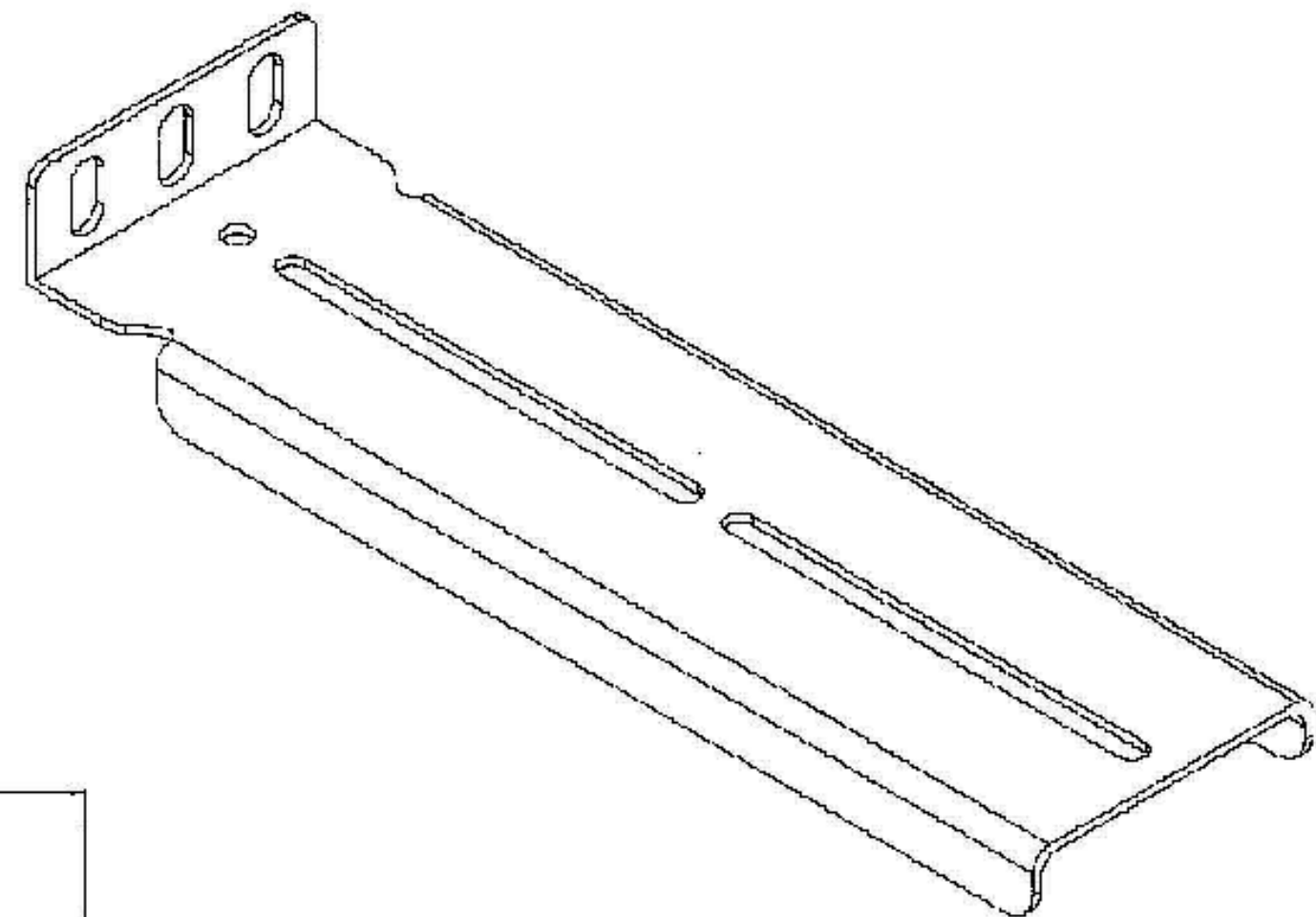



PAPER COPIES SHALL BE SHREDDED WHEN NO LONGER REQUIRED. ELECTRONIC COPIES SHALL NOT BE DISCLOSED OUTSIDE OF THE INTENDED RECIPIENTS.			
THIS DOCUMENT CONTAINS INFORMATION WHICH IS CONFIDENTIAL, MAY BE COMPANY PROPRIETARY, AND MAY BE CONSIDERED CUI. INFORMATION SHOULD BE PROTECTED IN ACCORDANCE WITH ESTABLISHED PROCEDURES & POLICIES.	THIRD ANGLE PROJECTION		 <b>NOVA ELECTRIC</b> A DIV. OF TECHNOLOGY DYNAMICS INC. 100 SCHOOL STREET BERGENFIELD, N.J. 07621-2915
	DRAWN	DATE	
TOLERANCES UNLESS OTHERWISE SPECIFIED	S.F.	11/18/24	
.XX = ± .02 .XXX = ± .010 ANGLE = ± 1/2°	CHECKED	DATE	
DIMENSIONS IN INCHES UNLESS OTHERWISE NOTED	H.S.	11/18/24	
<a href="http://www.novaelectric.com">HTTP://WWW.NOVAELECTRIC.COM</a>	APPROVED	DATE	
SCALE: NONE	C		PART NO. 482372
	SIZE	CAGE: 29019	SHEET 1 OF 2
			REV. -



PAPER COPIES SHALL BE SHREDDED WHEN NO LONGER REQUIRED. ELECTRONIC COPIES SHALL NOT BE DISCLOSED OUTSIDE OF THE INTENDED RECIPIENTS.			
THIS DOCUMENT CONTAINS INFORMATION WHICH IS CONFIDENTIAL, MAY BE COMPANY PROPRIETARY, AND MAY BE CONSIDERED CUI. INFORMATION SHOULD BE PROTECTED IN ACCORDANCE WITH ESTABLISHED PROCEDURES & POLICIES.	THIRD ANGLE PROJECTION		 <b>NOVA ELECTRIC</b> A DIV. OF TECHNOLOGY DYNAMICS INC. 100 SCHOOL STREET BERGENFIELD, N.J. 07621-2915
	DRAWN	DATE	
TOLERANCES UNLESS OTHERWISE SPECIFIED	S.F.	11/18/24	
	CHECKED	DATE	
	H.S.	11/18/24	
.XX = ± .02 .XXX = ± .010 ANGLE = ± 1/2°	DIMENSIONS IN INCHES UNLESS OTHERWISE NOTED		
<a href="http://www.novaelectric.com">HTTP://WWW.NOVAELECTRIC.COM</a>		APPROVED	DATE
		SCALE: NONE	
C		PART NO.	482372
SIZE		CAGE: 29019	SHEET 2 OF 2
			REV. -