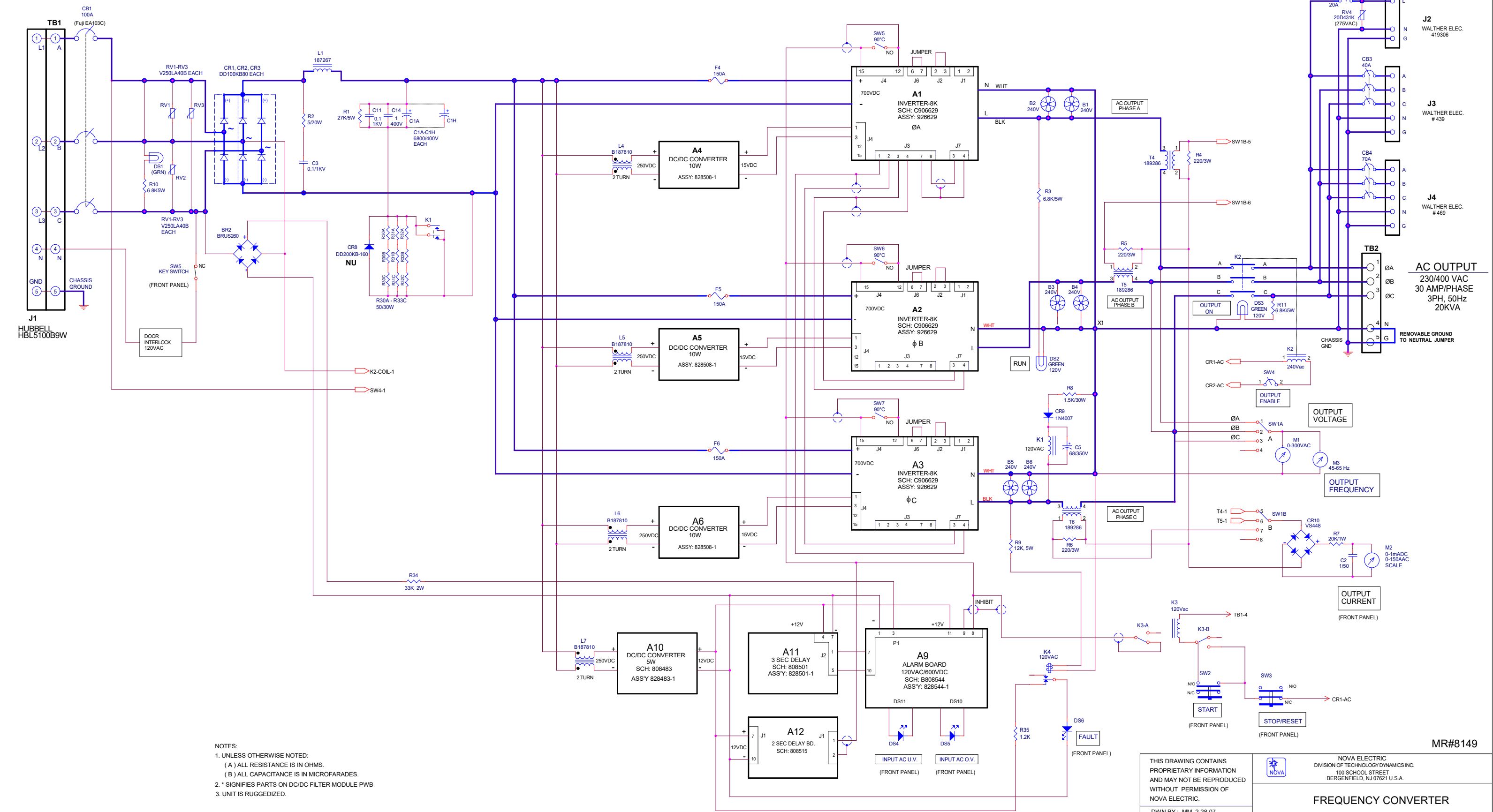


AC INPUT
 120/208VAC +/- 10%
 3-PH, 45 - 65 Hz
 92 AMP/PH



NOTES:
 1. UNLESS OTHERWISE NOTED:
 (A) ALL RESISTANCE IS IN OHMS.
 (B) ALL CAPACITANCE IS IN MICROFARADES.
 2. * SIGNIFIES PARTS ON DC/DC FILTER MODULE PWB
 3. UNIT IS RUGGEDIZED.

J2 WALTHER ELEC. 419306
J3 WALTHER ELEC. # 439
J4 WALTHER ELEC. # 469

AC OUTPUT
 230/400 VAC
 30 AMP/PHASE
 3PH, 50Hz
 20KVA

REMOVABLE GROUND TO NEUTRAL JUMPER

MR#8149

THIS DRAWING CONTAINS PROPRIETARY INFORMATION AND MAY NOT BE REPRODUCED WITHOUT PERMISSION OF NOVA ELECTRIC.

NOVA ELECTRIC
 DIVISION OF TECHNOLOGY DYNAMICS INC.
 100 SCHOOL STREET
 BERGENFIELD, NJ 07621 U.S.A.

FREQUENCY CONVERTER
GSFC20K3/5-120/208-230/400-8149

DWN BY: MM 2-28-07
 CHK. BY:
 APP BY: CB 2/28/07

Scale: D 29019
 DWG NO: 907525
 Rev: E

Tuesday, August 30, 2011
 Scale: N/A
 WWW.NOVAELECTRIC.COM
 Sheet 1 of 1