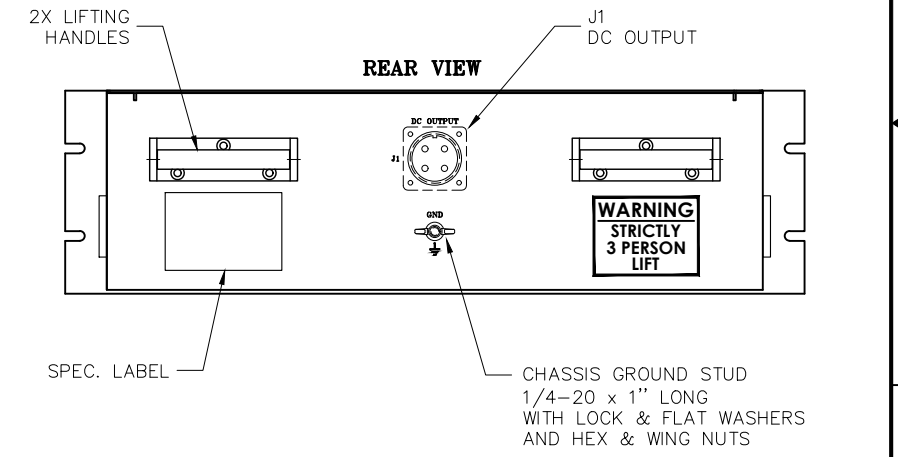
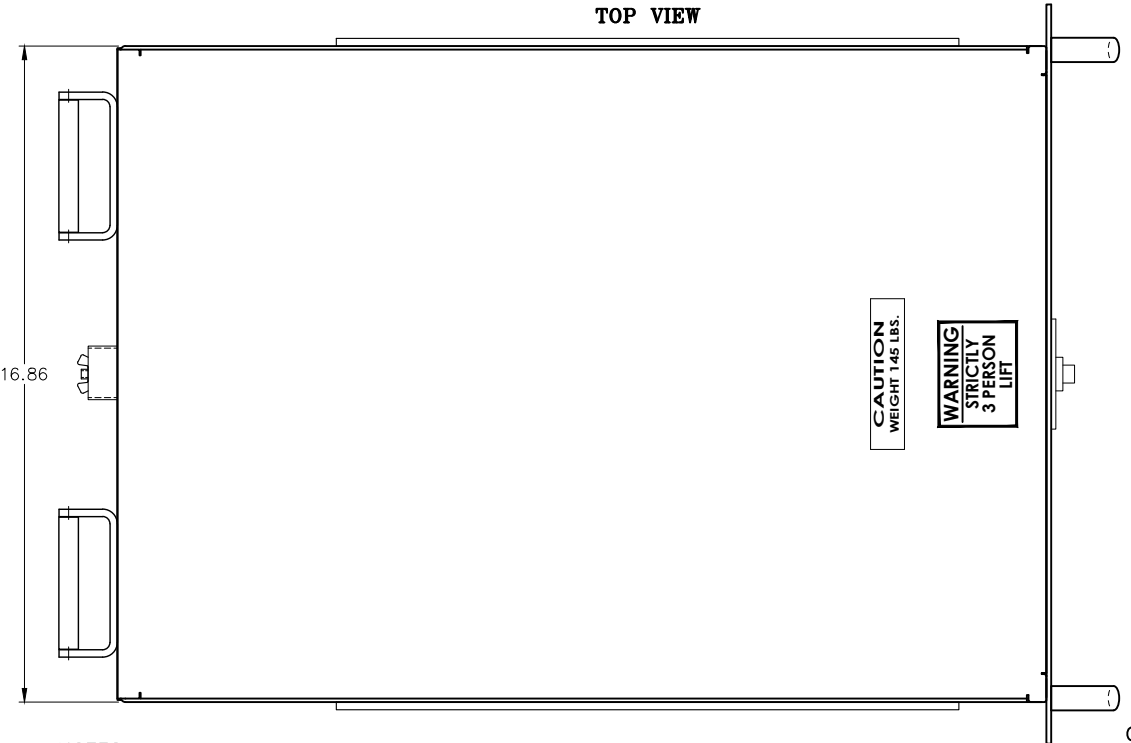
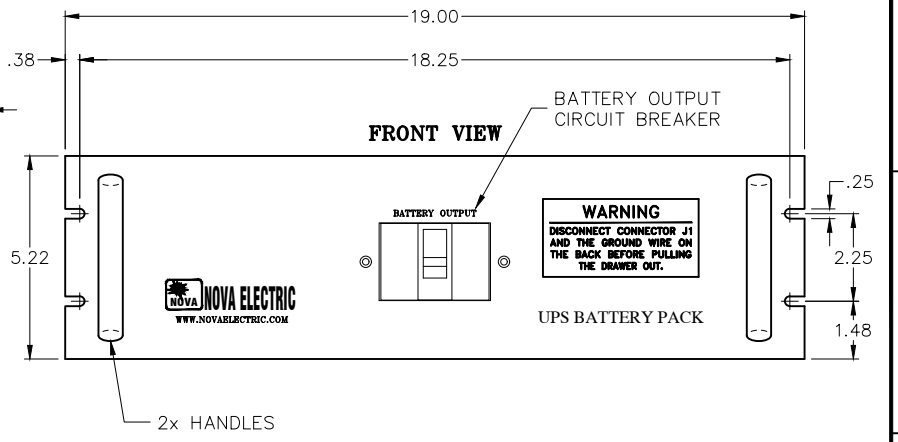
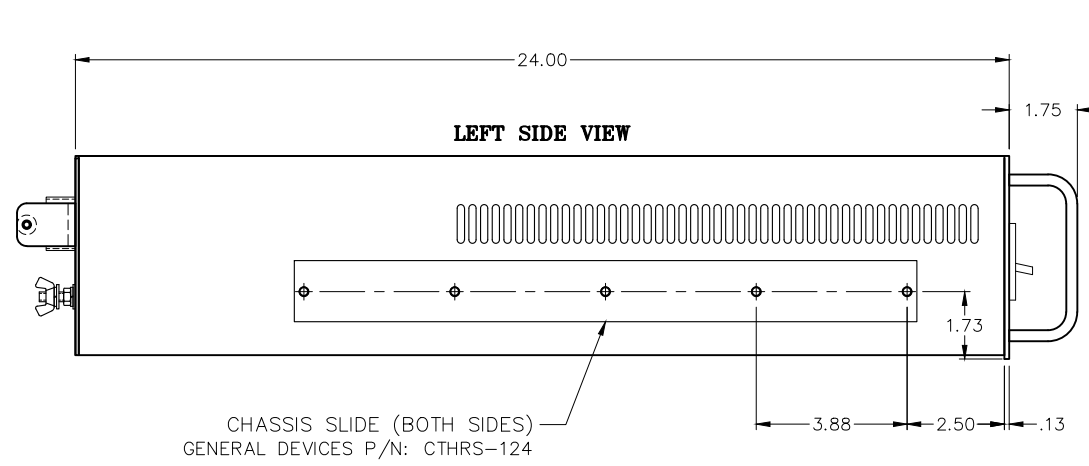


REVISIONS			
LTR	DESCRIPTION	BY	APR DATE
A	AS SHIPPED CONFIGURATION	J.U. H.S.	7/2/24
-	-	-	-



- NOTES:**
1. ALL DIMENSIONS ARE IN INCHES.
  2. ALL UNDIMENSIONED PICTORIAL CONFIGURATIONS ARE FOR REFERENCE ONLY.
  3. FRONT AND REAR MARKING FOR REFERENCE ONLY.
  4. FRONT PANEL COLOR ANSI #61 GRAY SEMI-GLOSS. ALL OTHER SURFACES ARE IRRIDATED. (ALUMINUM)
  5. FRONT & REAR PANEL SILKSCREEN IN BLACK EPOXY INK.
  6. APPROXIMATE UNIT WEIGHT: 145 LBS.

**CONNECTOR PIN DESIGNATIONS**

MS3102R22-22S	
PIN	DESCRIPTION
A	+120VDC
B	CT
C	-120VDC
D	GND

13459

PAPER COPIES SHALL BE SHREDDED WHEN NO LONGER REQUIRED. ELECTRONIC COPIES SHALL NOT BE DISCLOSED OUTSIDE OF THE INTENDED RECIPIENTS.		THIRD ANGLE PROJECTION		NOVA ELECTRIC A DIV. OF TECHNOLOGY DYNAMICS, INC. 100 SCHOOL STREET BERGENFIELD, N.J. 07621-2915	
THIS DOCUMENT CONTAINS INFORMATION WHICH IS CONFIDENTIAL, MAY BE COMPANY PROPRIETARY, AND MAY BE CONSIDERED CUI. INFORMATION SHOULD BE PROTECTED IN ACCORDANCE WITH ESTABLISHED PROCEDURES & POLICIES.		DRAWN DATE R.M. 8/24/23	CHECKED DATE J.U. 8/24/23	OUTLINE DRAWING, PC10K-240CTHR1234W-13459	
TOLERANCES UNLESS OTHERWISE SPECIFIED .10X = ± .02 .300X = ± .005 ANGLE = ± 1/2°	DIMENSIONS IN INCHES UNLESS OTHERWISE NOTED	APPROVED DATE A.L. 8/24/23	DO NOT SCALE	SIZE	CAGE: 29019   SHEET: 1 of 1 REV.