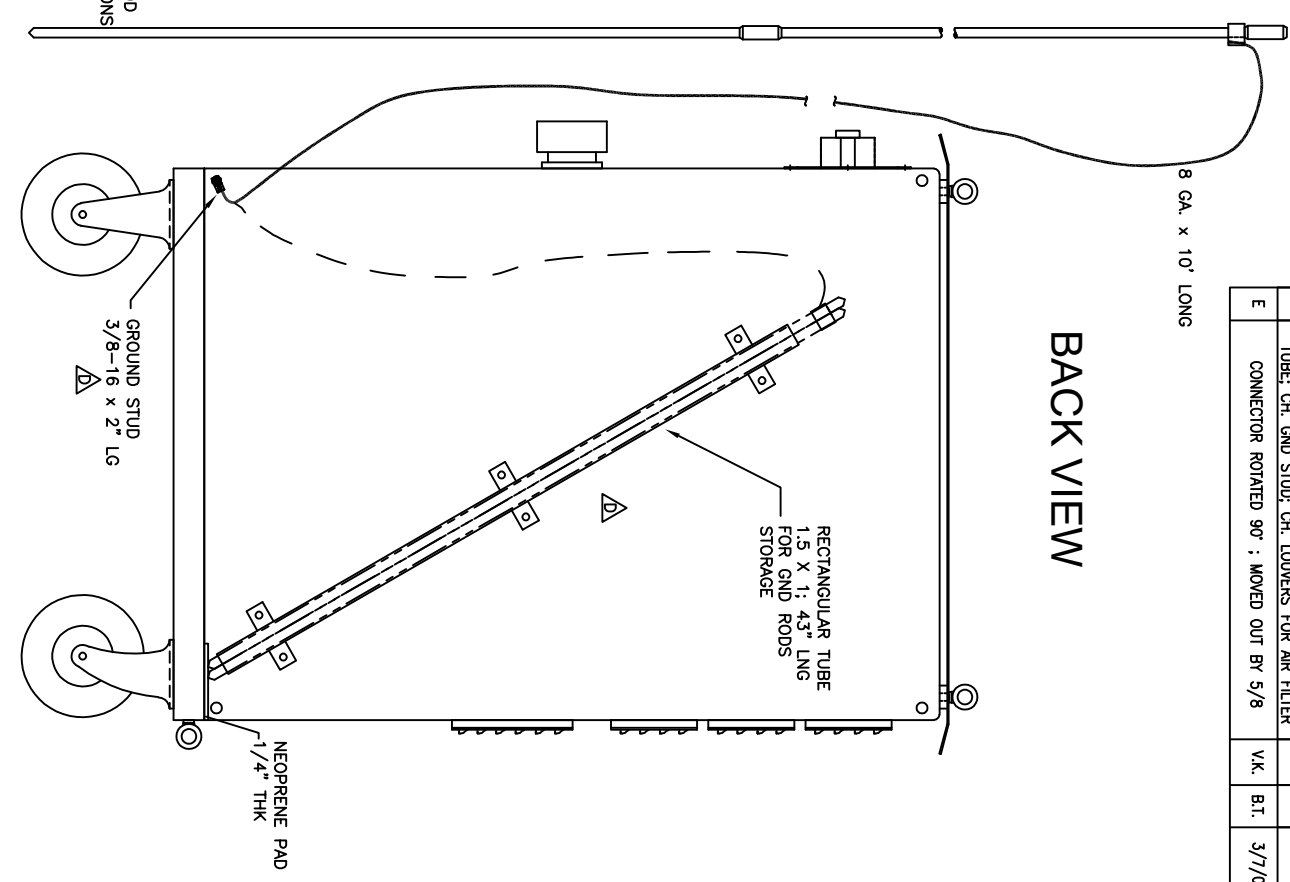
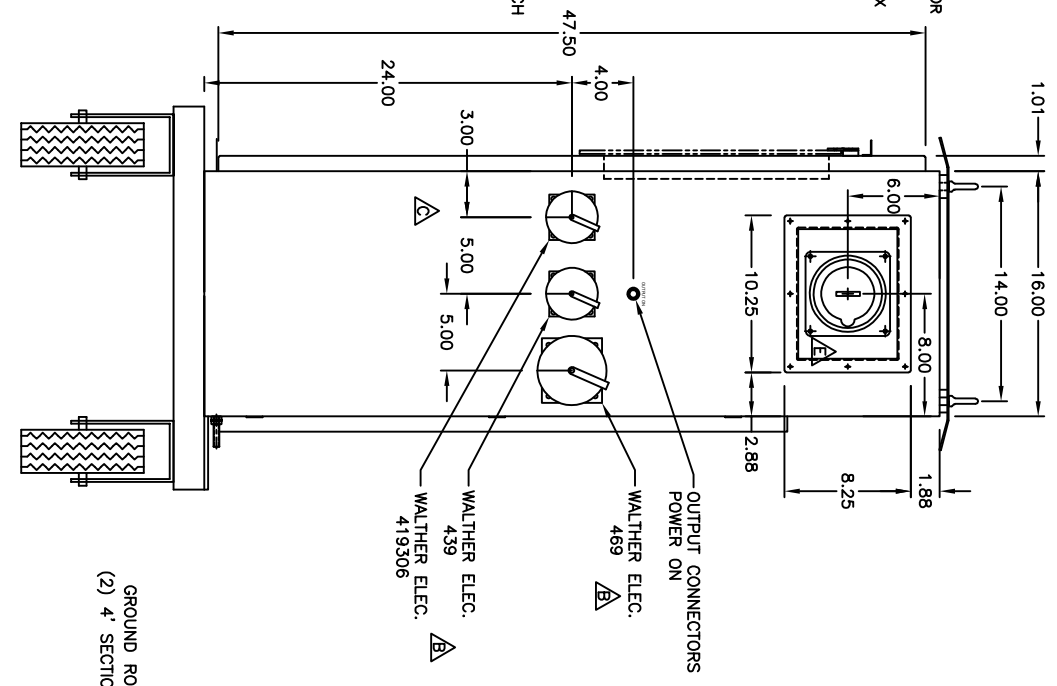
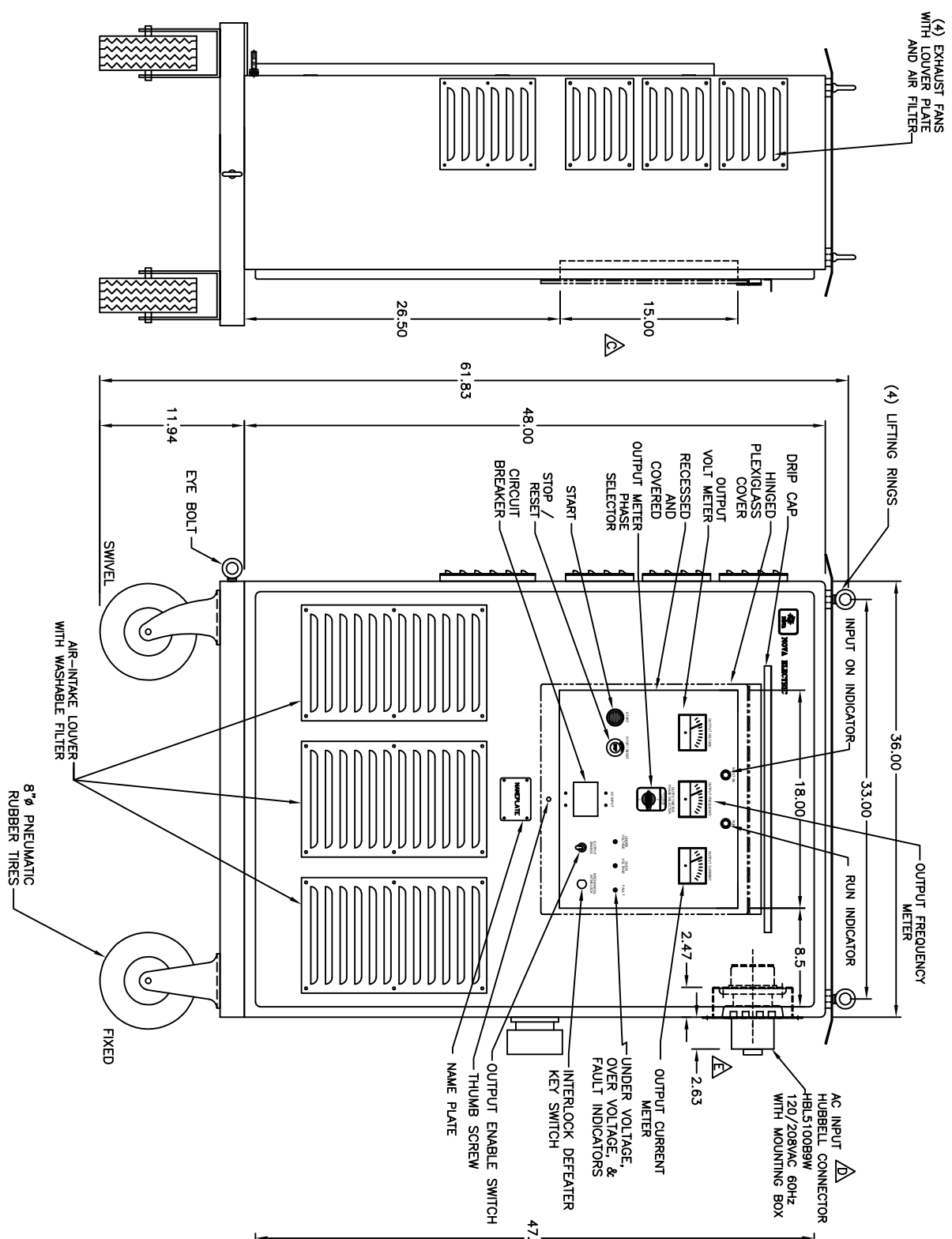
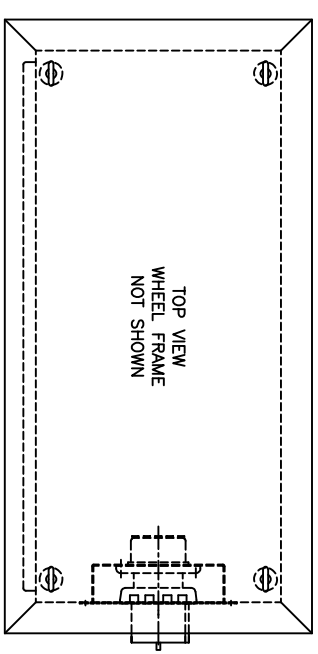


REVISIONS		BY	APP	DATE
LTR	DESCRIPTION			
B	OUTLET #489 WAS 13067, #439 WAS 13066, 419306 WAS 7108, MANUFACTURE WAS BALS	J.U.	C.D.	11/29/07
C	ADDED DIMS FOR CONNECTORS & CONTROLS ADDED CABINET MODEL NUMBER (NOTE 1)	J.U.	B.T.	11/30/07
D	ADDED AC INPUT CONNECTOR; ADDED STORAGE TUBE; CH. GND STUD; CH. LOUVERS FOR AIR FILTER	V.K.	B.T.	2/28/08
E	CONNECTOR ROTATED 90°; MOVED OUT BY 5/8"	V.K.	B.T.	3/7/08



MR# 8149

THIS DRAWING CONTAINS PROPRIETARY INFORMATION AND MAY NOT BE REPRODUCED WITHOUT THE PERMISSION OF NOVA ELECTRIC.

NOVA ELECTRIC
A DIV. OF TECHNOLOGY DYNAMICS INC.
100 SCHOOL STREET
BERGENFIELD, N.J. 07621-2915

NOTE:
ALL DIMENSIONS ARE NOMINAL.
ESTIMATED WEIGHT: 1100 lbs.

DATE	DATE	DATE	DATE	DATE
6/15/07	6/15/07	6/15/07	6/15/07	6/15/07
J.U.	B.T.	A.L.		
CHECKED	APPROVED			
DATE	DATE			
6/15/07	6/15/07			
B.T.	A.L.			
DATE	DATE			
6/15/07	6/15/07			
J.U.	B.T.	A.L.		
CHECKED	APPROVED			
DATE	DATE			
6/15/07	6/15/07			
J.U.	B.T.	A.L.		
CHECKED	APPROVED			
DATE	DATE			
6/15/07	6/15/07			
J.U.	B.T.	A.L.		
CHECKED	APPROVED			
DATE	DATE			
6/15/07	6/15/07			
J.U.	B.T.	A.L.		
CHECKED	APPROVED			
DATE	DATE			
6/15/07	6/15/07			
J.U.	B.T.	A.L.		
CHECKED	APPROVED			
DATE	DATE			
6/15/07	6/15/07			
J.U.	B.T.	A.L.		
CHECKED	APPROVED			
DATE	DATE			
6/15/07	6/15/07			
J.U.	B.T.	A.L.		
CHECKED	APPROVED			
DATE	DATE			
6/15/07	6/15/07			
J.U.	B.T.	A.L.		
CHECKED	APPROVED			
DATE	DATE			
6/15/07	6/15/07			
J.U.	B.T.	A.L.		
CHECKED	APPROVED			
DATE	DATE			
6/15/07	6/15/07			
J.U.	B.T.	A.L.		
CHECKED	APPROVED			
DATE	DATE			
6/15/07	6/15/07			
J.U.	B.T.	A.L.		
CHECKED	APPROVED			
DATE	DATE			
6/15/07	6/15/07			
J.U.	B.T.	A.L.		
CHECKED	APPROVED			
DATE	DATE			
6/15/07	6/15/07			
J.U.	B.T.	A.L.		
CHECKED	APPROVED			
DATE	DATE			
6/15/07	6/15/07			
J.U.	B.T.	A.L.		
CHECKED	APPROVED			
DATE	DATE			
6/15/07	6/15/07			
J.U.	B.T.	A.L.		
CHECKED	APPROVED			
DATE	DATE			
6/15/07	6/15/07			
J.U.	B.T.	A.L.		
CHECKED	APPROVED			
DATE	DATE			
6/15/07	6/15/07			
J.U.	B.T.	A.L.		
CHECKED	APPROVED			
DATE	DATE			
6/15/07	6/15/07			
J.U.	B.T.	A.L.		
CHECKED	APPROVED			
DATE	DATE			
6/15/07	6/15/07			
J.U.	B.T.	A.L.		
CHECKED	APPROVED			
DATE	DATE			
6/15/07	6/15/07			
J.U.	B.T.	A.L.		
CHECKED	APPROVED			
DATE	DATE			
6/15/07	6/15/07			
J.U.	B.T.	A.L.		
CHECKED	APPROVED			
DATE	DATE			
6/15/07	6/15/07			
J.U.	B.T.	A.L.		
CHECKED	APPROVED			
DATE	DATE			
6/15/07	6/15/07			
J.U.	B.T.	A.L.		
CHECKED	APPROVED			
DATE	DATE			
6/15/07	6/15/07			
J.U.	B.T.	A.L.		
CHECKED	APPROVED			
DATE	DATE			
6/15/07	6/15/07			
J.U.	B.T.	A.L.		
CHECKED	APPROVED			
DATE	DATE			
6/15/07	6/15/07			
J.U.	B.T.	A.L.		
CHECKED	APPROVED			
DATE	DATE			
6/15/07	6/15/07			
J.U.	B.T.	A.L.		
CHECKED	APPROVED			
DATE	DATE			
6/15/07	6/15/07			
J.U.	B.T.	A.L.		
CHECKED	APPROVED			
DATE	DATE			
6/15/07	6/15/07			
J.U.	B.T.	A.L.		
CHECKED	APPROVED			
DATE	DATE			
6/15/07	6/15/07			
J.U.	B.T.	A.L.		
CHECKED	APPROVED			
DATE	DATE			
6/15/07	6/15/07			
J.U.	B.T.	A.L.		
CHECKED	APPROVED			
DATE	DATE			
6/15/07	6/15/07			
J.U.	B.T.	A.L.		
CHECKED	APPROVED			
DATE	DATE			
6/15/07	6/15/07			
J.U.	B.T.	A.L.		
CHECKED	APPROVED			
DATE	DATE			
6/15/07	6/15/07			
J.U.	B.T.	A.L.		
CHECKED	APPROVED			
DATE	DATE			
6/15/07	6/15/07			
J.U.	B.T.	A.L.		
CHECKED	APPROVED			
DATE	DATE			
6/15/07	6/15/07			
J.U.	B.T.	A.L.		
CHECKED	APPROVED			
DATE	DATE			
6/15/07	6/15/07			
J.U.	B.T.	A.L.		
CHECKED	APPROVED			
DATE	DATE			
6/15/07	6/15/07			
J.U.	B.T.	A.L.		
CHECKED	APPROVED			
DATE	DATE			
6/15/07	6/15/07			
J.U.	B.T.	A.L.		
CHECKED	APPROVED			
DATE	DATE			
6/15/07	6/15/07			
J.U.	B.T.	A.L.		
CHECKED	APPROVED			
DATE	DATE			
6/15/07	6/15/07			
J.U.	B.T.	A.L.		
CHECKED	APPROVED			
DATE	DATE			
6/15/07	6/15/07			
J.U.	B.T.	A.L.		
CHECKED	APPROVED			
DATE	DATE			
6/15/07	6/15/07			
J.U.	B.T.	A.L.		
CHECKED	APPROVED			
DATE	DATE			
6/15/07	6/15/07			
J.U.	B.T.	A.L.		
CHECKED	APPROVED			
DATE	DATE			
6/15/07	6/15/07			
J.U.	B.T.	A.L.		
CHECKED	APPROVED			
DATE	DATE			
6/15/07	6/15/07			
J.U.	B.T.	A.L.		
CHECKED	APPROVED			
DATE	DATE			
6/15/07	6/15/07			
J.U.	B.T.	A.L.		
CHECKED	APPROVED			
DATE	DATE			
6/15/07	6/15/07			
J.U.	B.T.	A.L.		
CHECKED	APPROVED			
DATE	DATE			
6/15/07	6/15/07			
J.U.	B.T.	A.L.		
CHECKED	APPROVED			
DATE	DATE			
6/15/07	6/15/07			
J.U.	B.T.	A.L.		
CHECKED	APPROVED			
DATE	DATE			
6/15/07	6/15/07			
J.U.	B.T.	A.L.		
CHECKED	APPROVED			
DATE	DATE			
6/15/07	6/15/07			
J.U.	B.T.	A.L.		
CHECKED	APPROVED			
DATE	DATE			
6/15/07	6/15/07			
J.U.	B.T.	A.L.		
CHECKED	APPROVED			
DATE	DATE			
6/15/07	6/15/07			
J.U.	B.T.	A.L.		
CHECKED	APPROVED			
DATE	DATE			
6/15/07	6/15/07			
J.U.	B.T.	A.L.		
CHECKED	APPROVED			
DATE	DATE			
6/15/07	6/15/07			
J.U.	B.T.	A.L.		
CHECKED	APPROVED			
DATE	DATE			
6/15/07	6/15/07			
J.U.	B.T.	A.L.		
CHECKED	APPROVED			
DATE	DATE			
6/15/07	6/15/07			
J.U.	B.T.	A.L.		
CHECKED	APPROVED			
DATE	DATE			
6/15/07	6/15/07			
J.U.	B.T.	A.L.		
CHECKED	APPROVED			
DATE	DATE			
6/15/07	6/15/07			
J.U.	B.T.	A.L.		
CHECKED	APPROVED			
DATE	DATE			
6/15/07	6/15/07			
J.U.	B.T.	A.L.		
CHECKED	APPROVED			
DATE	DATE			
6/15/07	6/15/07			
J.U.	B.T.	A.L.		
CHECKED	APPROVED			
DATE	DATE			
6/15/07	6/15/07			
J.U.	B.T.	A.L.		
CHECKED	APPROVED			
DATE	DATE			
6/15/07	6/15/07			
J.U.	B.T.	A.L.		
CHECKED	APPROVED			
DATE	DATE			